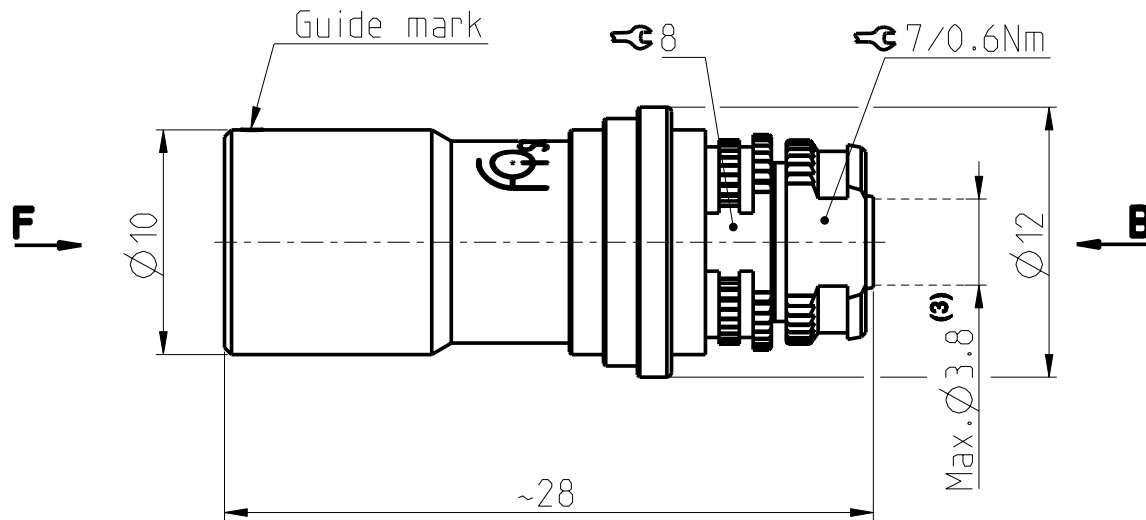
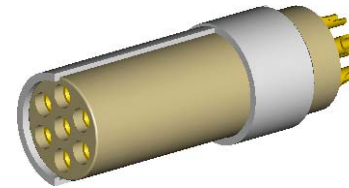


KS/KSE 102 Multipole Cable Mounted Receptacles

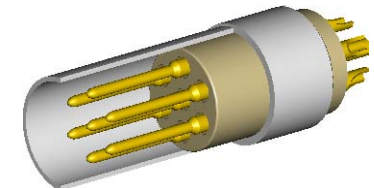
All dimensions see note 1)



Contact polarity A

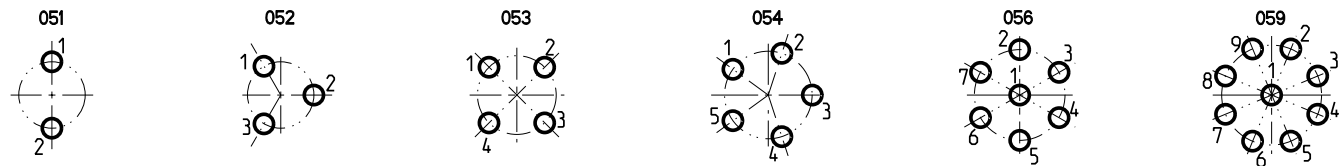


Contact polarity Z

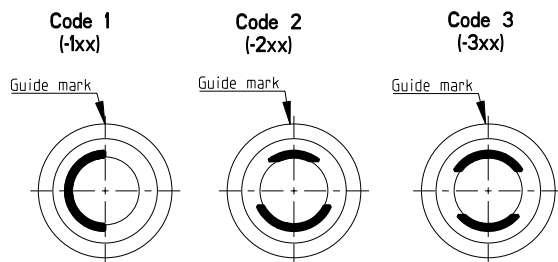


CONTACT CONFIGURATION	Contacts	Solder cup \varnothing		Crimp cup ⁽²⁾ \varnothing
102 A Z 051	2	0.79		-
102 A Z 052	3	0.79		-
102 A Z 053	4	0.79		0.60
102 A Z 054	5	0.79		0.60
102 A Z 056	7	0.43		0.43
102 A Z 059	9	0.43		-

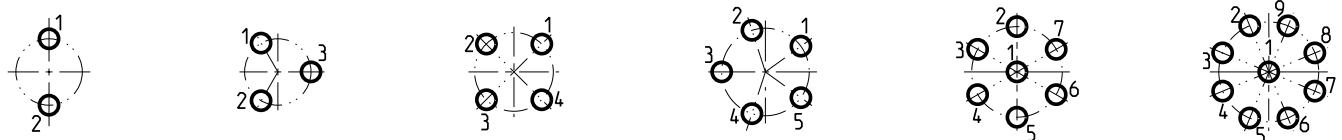
Contact configuration for polarity A (View from B)



Keying codes (View from F)



Contact configuration for polarity Z (View from B)



All dimensions in mm

600518

Rev.

1a

Pages

1/1

Notes:

- 1) All tolerances resulting from connector assembly are typically $\pm 0.3\text{mm}$
 - 2) For optimum crimping refer to available crimping manual.
 - 3) Max cable diameter below shield
- Part number example : KSE 102 A056-130



www.fischerconnectors.com