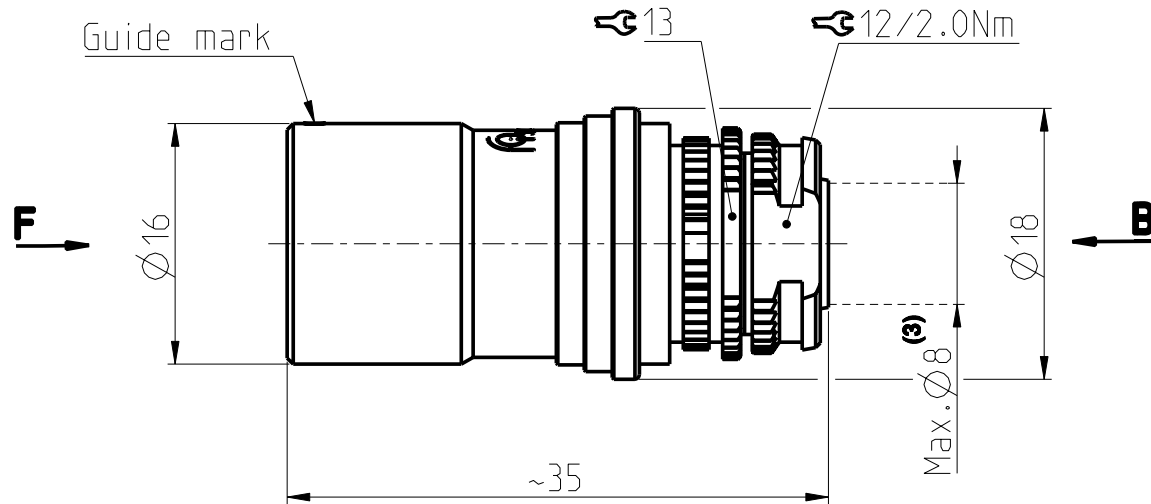


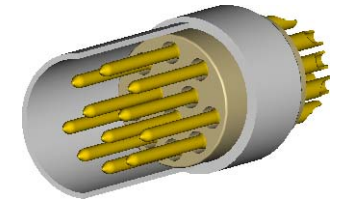
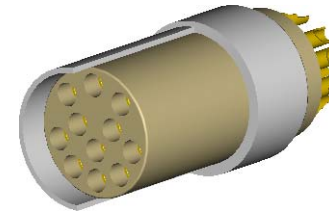
KS/KSE 104 Multipole Cable Mounted Receptacles

All dimensions see note 1)



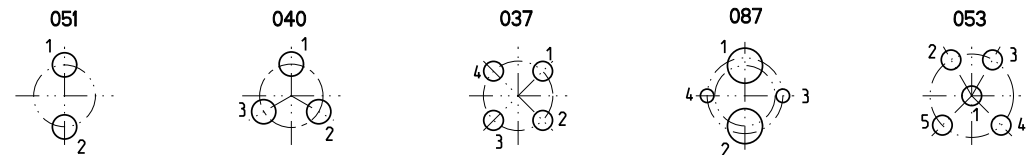
Contact polarity A

Contact polarity Z

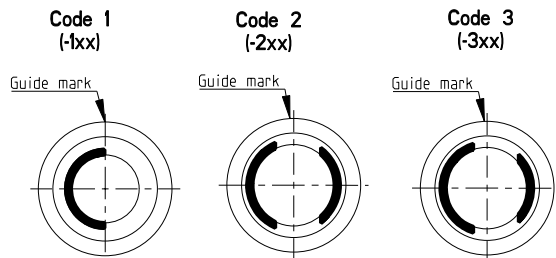


CONTACT CONFIGURATION	Contacts	Solder cup \varnothing		Crimp cup ⁽²⁾ \varnothing
104 A Z 051	2	1.86		-
104 A Z 040	3	1.86		1.78
104 A Z 037	4	1.18		1.18
104 A Z 087	4	0.79/2.48		-
104 A Z 053	5	1.18		-

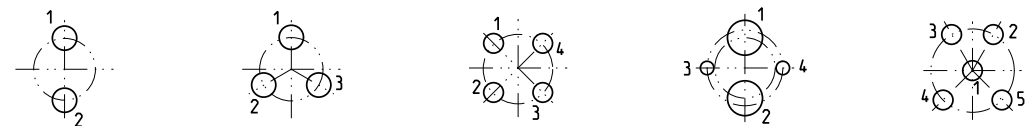
Contact configuration for polarity A (View from B)



Keying codes (View from F)



Contact configuration for polarity Z (View from B)



All dimensions in mm

Rev.

Pages

Notes :

1) All tolerances resulting from connector assembly are typically $\pm 0.3\text{mm}$

2) For optimum crimping refer to available crimping manual.

3) Max cable diameter below shield

Part number example : KSE 104 A056-130

600524

1a

1/3

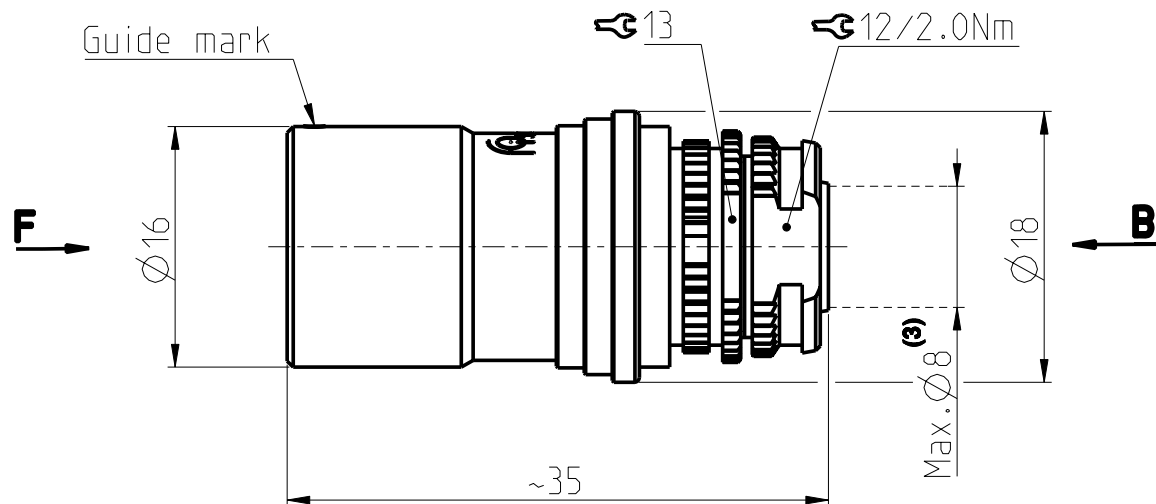
fischer
CONNECTORS

www.fischerconnectors.com

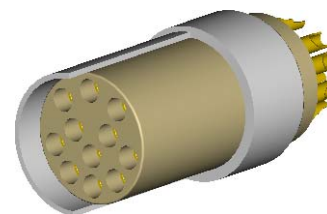
Information provided herein is believed to be accurate at time of publishing. Fischer Connectors reserves the right to make modifications on products for continuous improvement without prior notice.

KS/KSE 104 Multipole Cable Mounted Receptacles

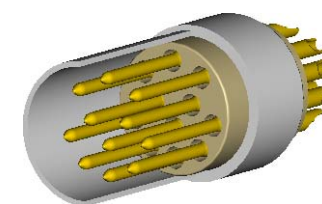
All dimensions see note 1)



Contact polarity A

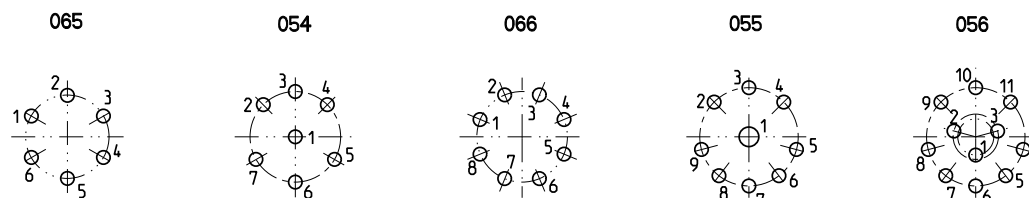


Contact polarity Z

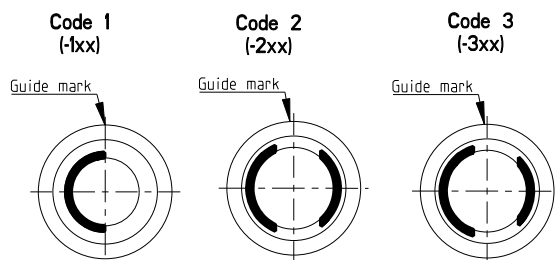


CONTACT CONFIGURATION	Contacts	Solder cup \varnothing		Crimp ⁽²⁾ cup \varnothing
104 A Z 065	6	0.79		0.80
104 A Z 054	7	0.79		-
104 A Z 066	8	0.79		0.80
104 A Z 055	9	0.79/1.18		-
104 A Z 056	11	0.79		0.80

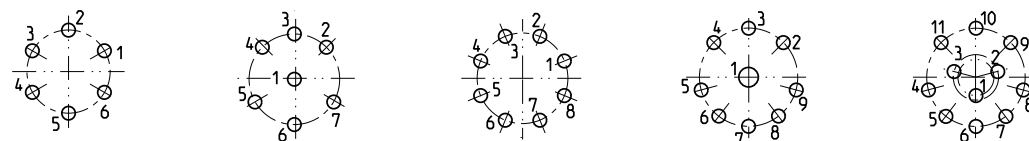
Contact configuration for polarity A (View from B)



Keying codes (View from F)



Contact configuration for polarity Z (View from B)



All dimensions in mm

600524

Rev.

1a

Pages

2/3

Notes:

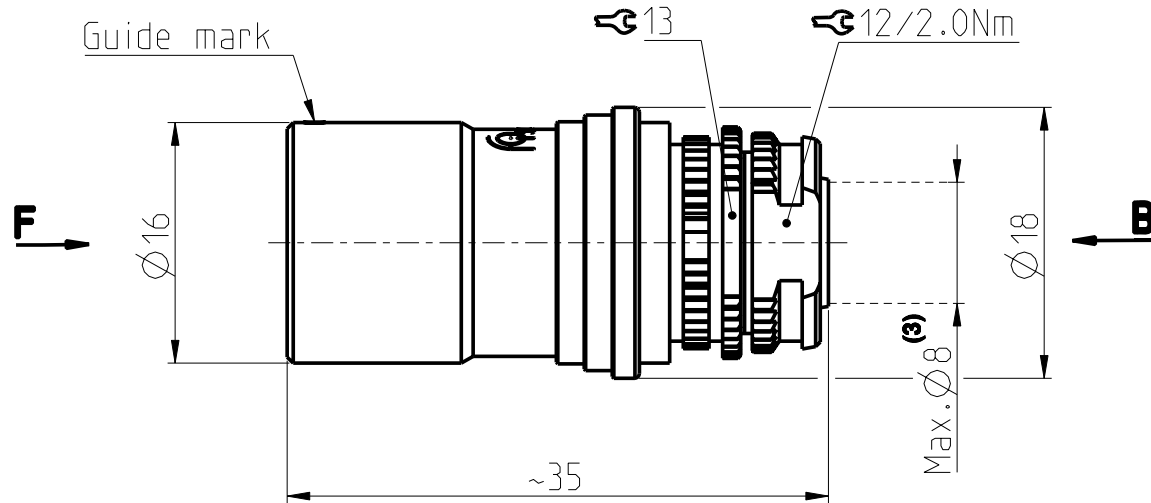
- 1) All tolerances resulting from connector assembly are typically $\pm 0.3\text{mm}$
 - 2) For optimum crimping refer to available crimping manual.
 - 3) Max cable diameter below shield
- Part number example : KSE 104 A056-130

fischer
CONNECTORS

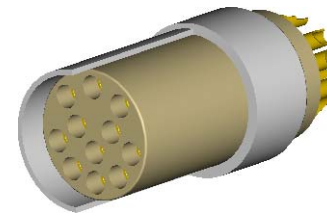
www.fischerconnectors.com

KS/KSE 104 Multipole Cable Mounted Receptacles

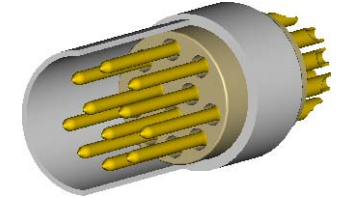
All dimensions see note 1)



Contact polarity A



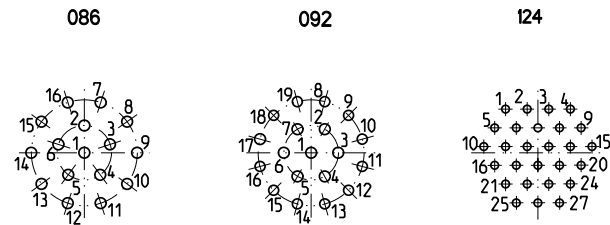
Contact polarity Z



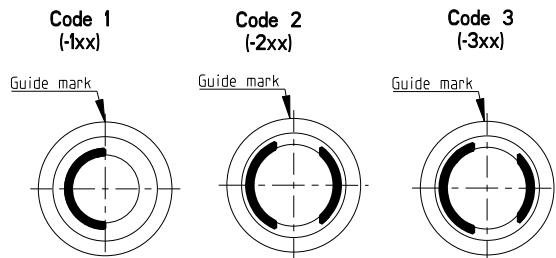
CONTACT CONFIGURATION	Contacts	Solder cup \varnothing	Crimp cup ⁽²⁾ \varnothing
104 A Z 086	16	0.79	0.60
104 A Z 092	19	0.79	0.60
*104 A 124	27	-	0.43

*Please contact us for additional information

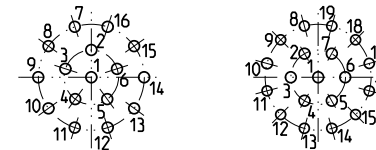
Contact configuration for polarity A (View from B)



Keying codes (View from F)



Contact configuration for polarity Z (View from B)



All dimensions in mm

600524

Rev.

1a

Pages

3/3

Notes :

- 1) All tolerances resulting from connector assembly are typically $\pm 0.3\text{mm}$
 - 2) For optimum crimping refer to available crimping manual.
 - 3) Max cable diameter below shield
- Part number example : KSE 104 A056-130

fischer
CONNECTORS

www.fischerconnectors.com