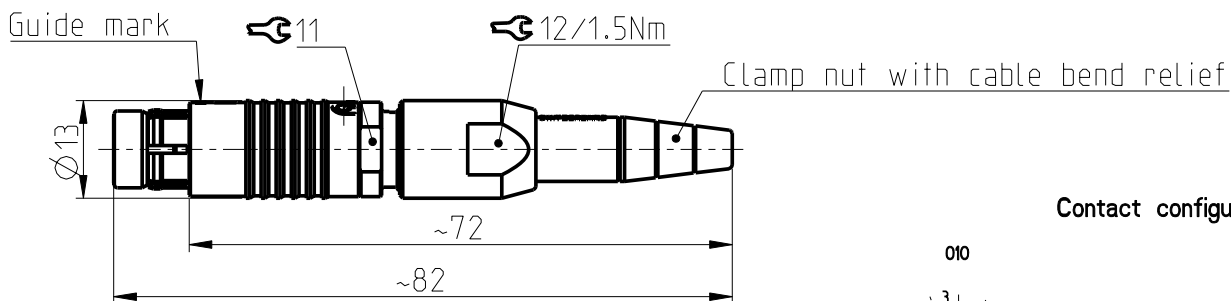
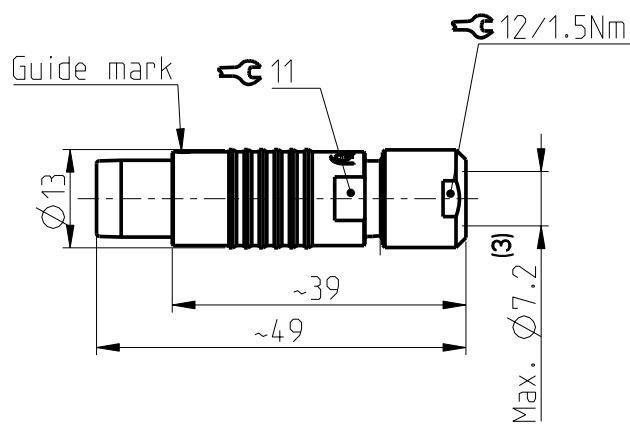
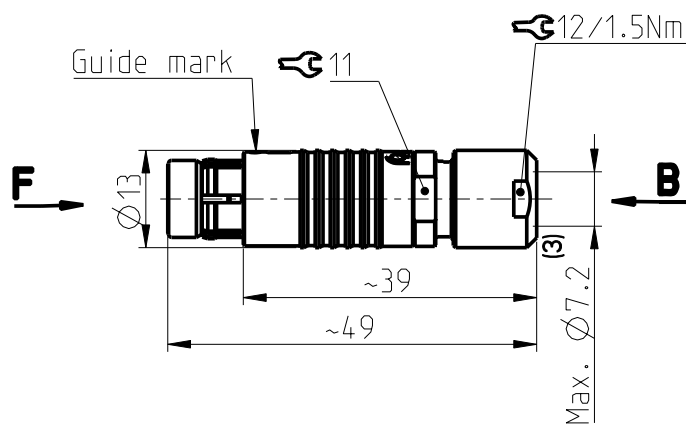


S/SC/SOV 1031 Multipole Plugs

All dimensions see note 1)

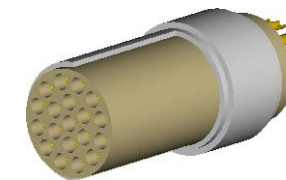
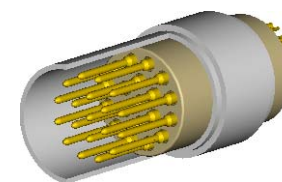
S/SC

SOV



Contact polarity A

Contact polarity Z



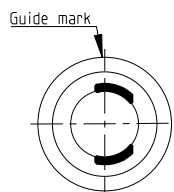
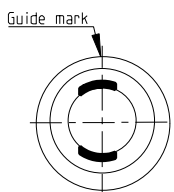
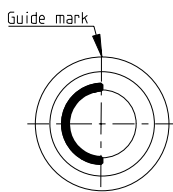
CONTACT CONFIGURATION	Contacts	Solder cup \varnothing	Crimp cup \varnothing ⁽²⁾
1031 A Z 010	10	0.79	0.60
1031 A Z 012	12	0.79	0.60
1031 A Z 019	19	0.43	0.43

Keying codes (View from F)

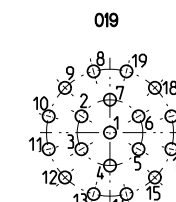
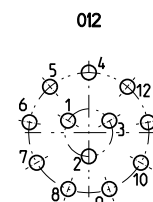
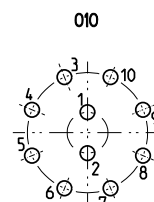
Code 1 (-1xx)

Code 2 (-2xx)

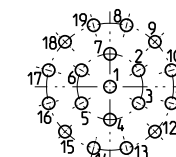
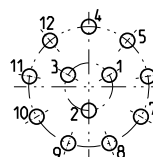
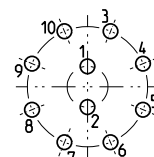
Code 3 (-3xx)



Contact configuration for polarity A (View from B)



Contact configuration for polarity Z (View from B)



All dimensions in mm

Rev.

Pages

Notes :

- 1) All tolerances resulting from connector assembly are typically ± 0.3 mm
- 2) For optimum crimping refer to available crimping manual.
- 3) Max cable diameter with unsealed clamp set.
Max $\varnothing 6.7$ mm with sealed clamp set.

Part number example : S 1031 A019-130+

600486

1b

1/1

fischer
CONNECTORS

www.fischerconnectors.com