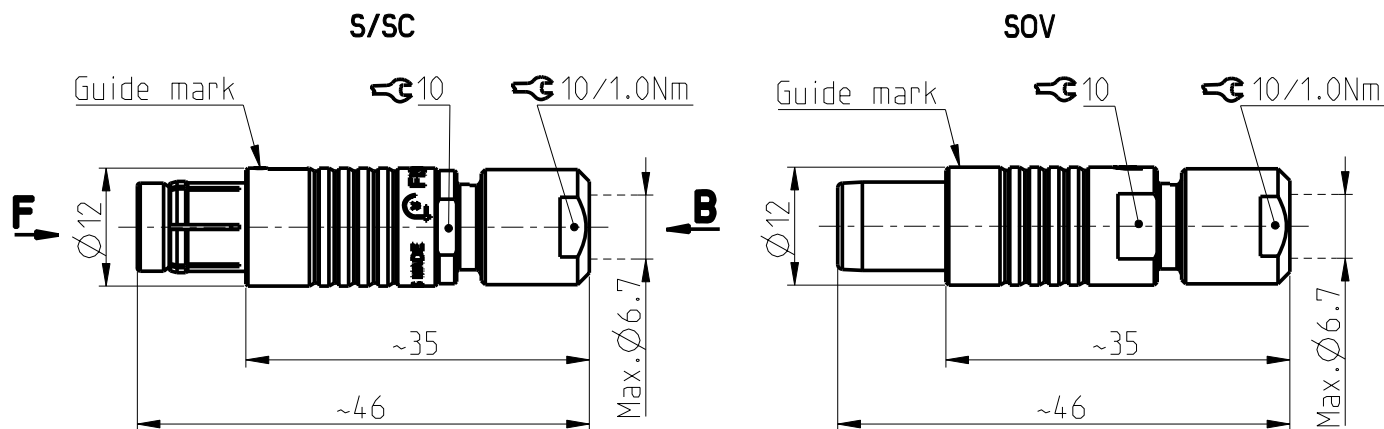


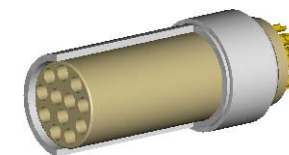
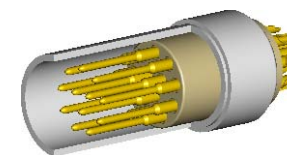
S/SC/SOV 103 Multiple Plugs

All dimensions see note 1)

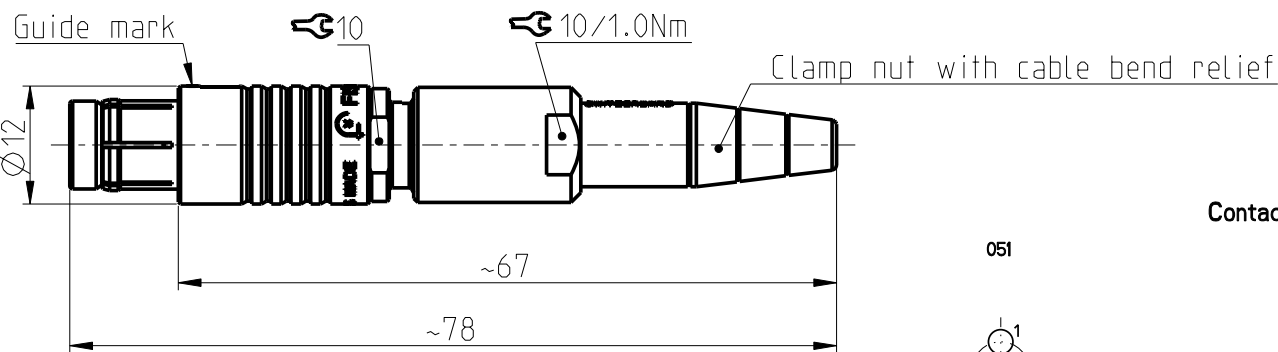


Contact polarity A

Contact polarity Z

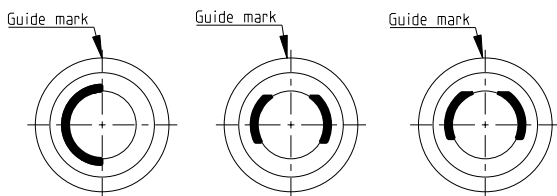


CONTACT CONFIGURATION		Contacts	Solder cup \varnothing	Crimp ⁽²⁾ cup \varnothing
103	A Z 051	2	1.18	1.18
103	A Z 052	3	1.18	-
103	A Z 053	4	0.79	-
103	A Z 054	5	0.79	0.80

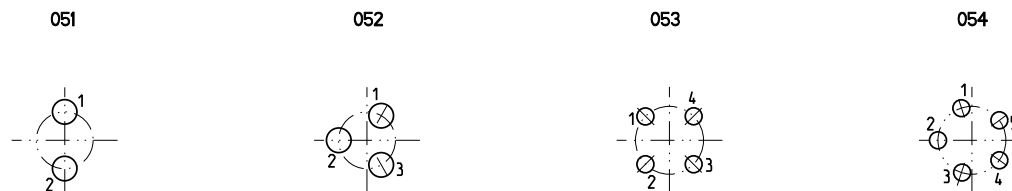


Keying codes (View from F)

Code 1 (-1xx) Code 2 (-2xx) Code 3 (-3xx)



Contact configuration for polarity A (View from B)



Contact configuration for polarity Z (View from B)



All dimensions in mm

Rev. Pages

Notes:
 1) All tolerances resulting from connector assembly are typically $\pm 0.3\text{mm}$
 2) For optimum crimping refer to available crimping manual.
 Part number example : S 103 A062-130

600492

1a

1/2

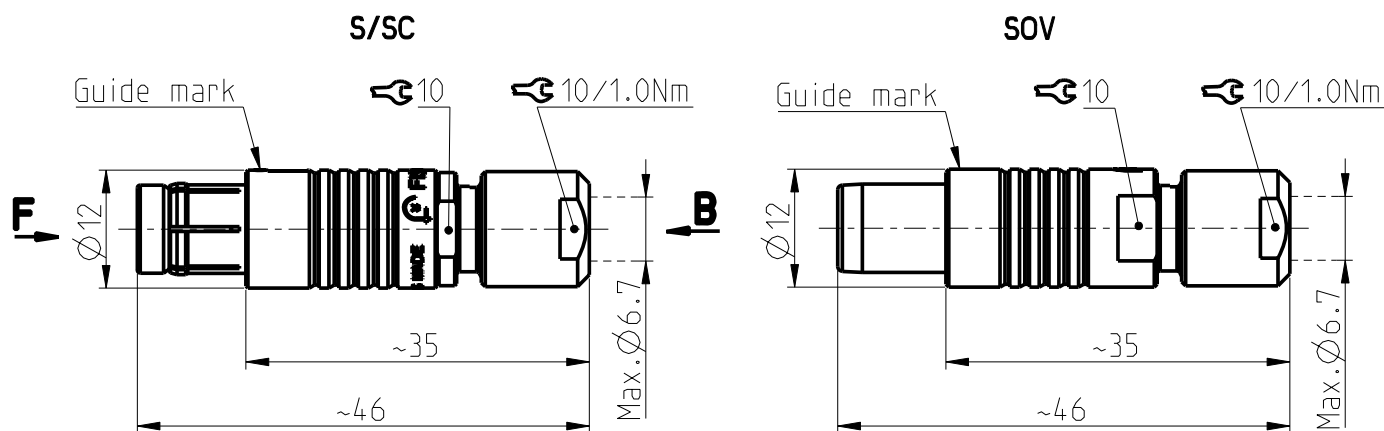
fischer
CONNECTORS

www.fischerconnectors.com

Information provided herein is believed to be accurate at time of publishing. Fischer Connectors reserves the right to make modifications on products for continuous improvement without prior notice.

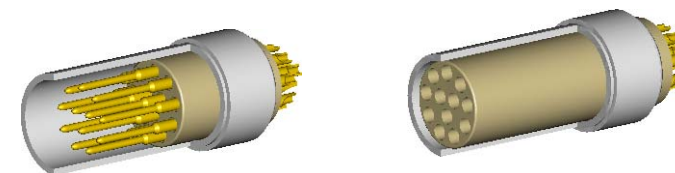
S/SC/SOV 103 Multiplole Plugs

All dimensions see note 1)

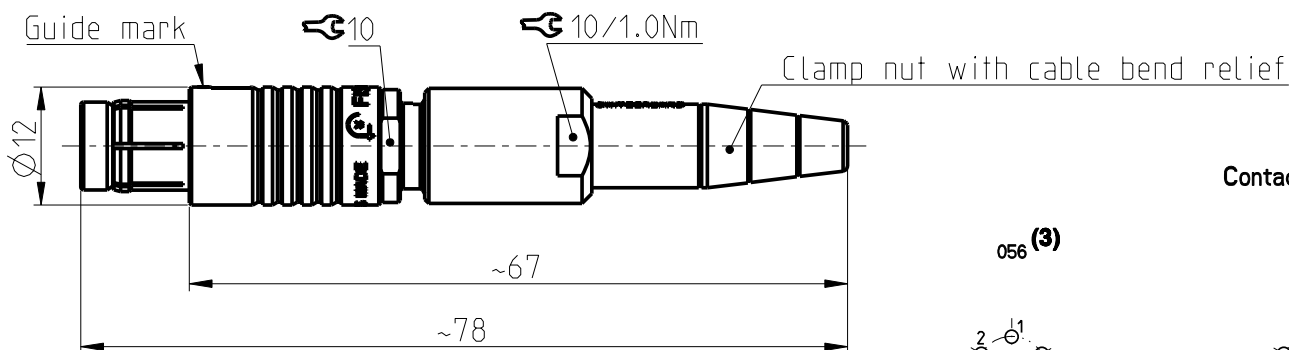


Contact polarity A

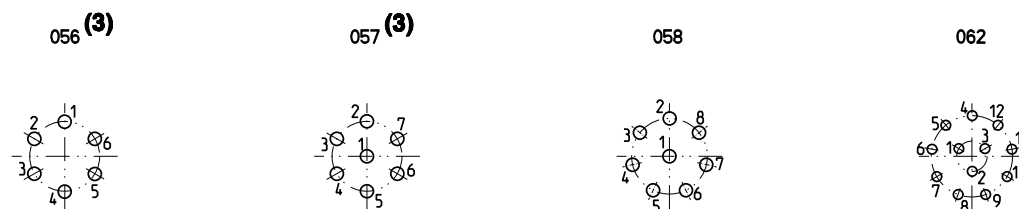
Contact polarity Z



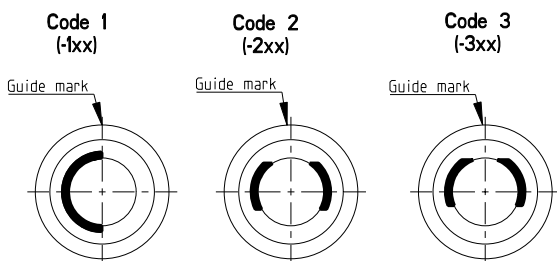
CONTACT CONFIGURATION	Contacts	Solder cup \varnothing		Crimp ⁽²⁾ \varnothing
103 A Z 056	6	0.79		0.60
103 A Z 057	7	0.79		0.60
103 A Z 058	8	0.79		0.60
103 A Z 062	12	0.43		-



Contact configuration for polarity A (View from B)



Keying codes (View from F)



Contact configuration for polarity Z (View from B)



All dimensions in mm

Rev. Pages

Notes :

- 1) All tolerances resulting from connector assembly are typically $\pm 0.3\text{mm}$
 - 2) For optimum crimping refer to available crimping manual.
 - 3) Only valid for Code 1. For other codes please contact us.
- Part number example : S 103 A062-130

600492

1a

2/2

fischer
CONNECTORS

www.fischerconnectors.com

Information provided herein is believed to be accurate at time of publishing. Fischer Connectors reserves the right to make modifications on products for continuous improvement without prior notice.