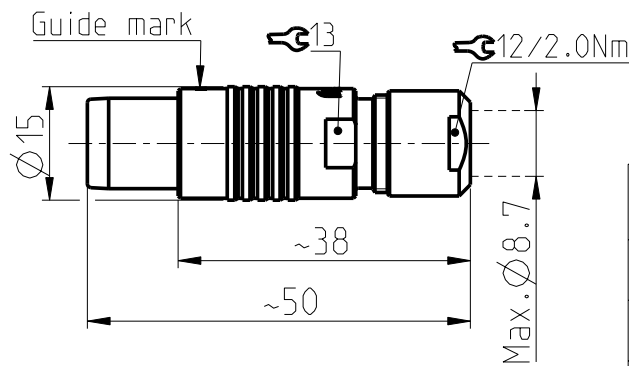
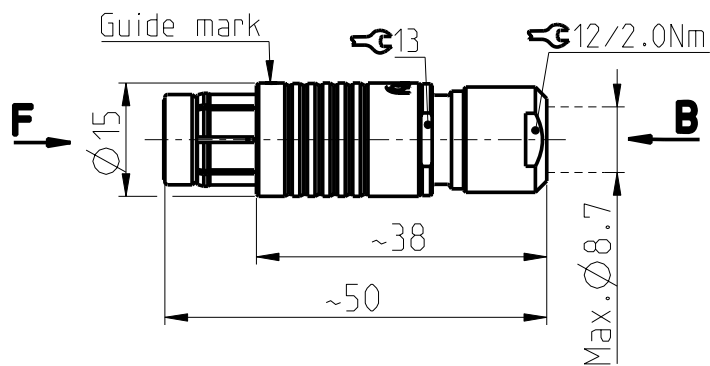


# S/SC/SOV 104 Multipole Plugs

All dimensions see note 1)

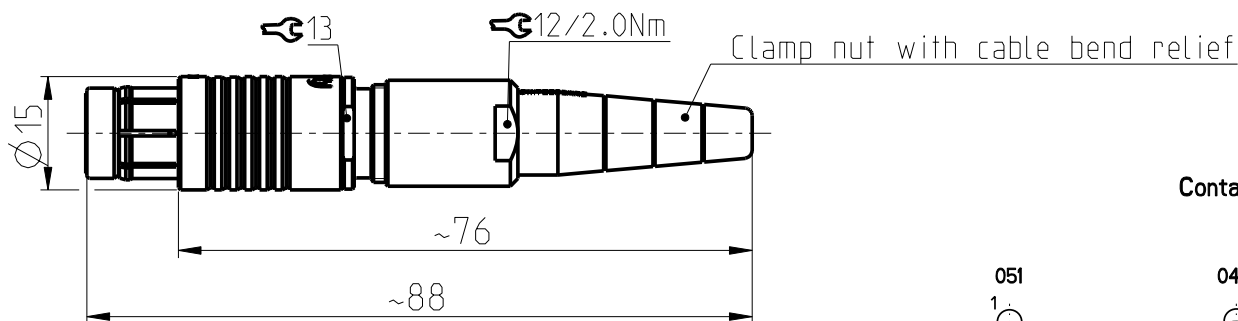
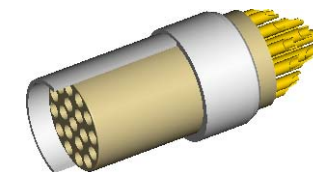
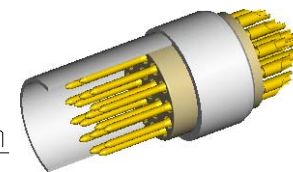
S/SC

SOV



Contact polarity A

Contact polarity Z



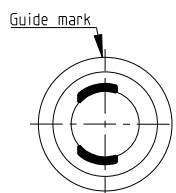
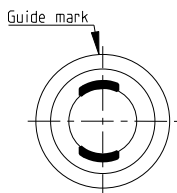
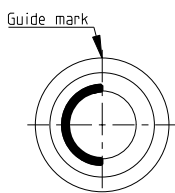
CONTACT CONFIGURATION	Contacts	Solder cup $\varnothing$		Crimp cup <sup>(2)</sup> $\varnothing$
104 A Z 051	2	1.86		-
104 A Z 040	3	1.86		1.78
104 A Z 037	4	1.18		1.18
104 A Z 087	4	0.79/2.48		-
104 A Z 053	5	1.18		-

Keying codes (View from F)

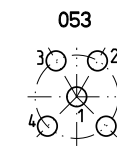
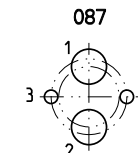
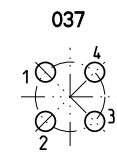
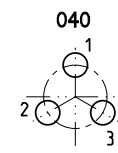
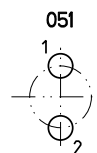
Code 1 (-1xx)

Code 2 (-2xx)

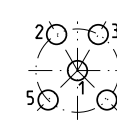
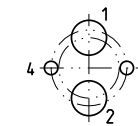
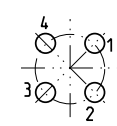
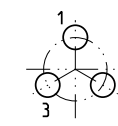
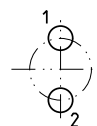
Code 3 (-3xx)



Contact configuration for polarity A (View from B)



Contact configuration for polarity Z (View from B)



All dimensions in mm

600480

Rev.

1d

Pages

1/3

Notes:

- 1) All tolerances resulting from connector assembly are typically  $\pm 0.3\text{mm}$
  - 2) For optimum crimping refer to available crimping manual.
- Part number example : S 104 A092-130+

**fischer**  
CONNECTORS

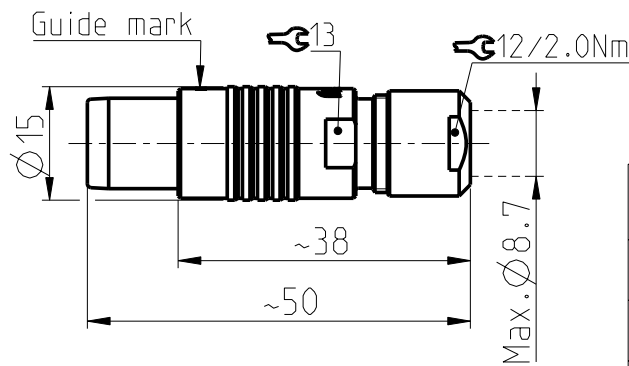
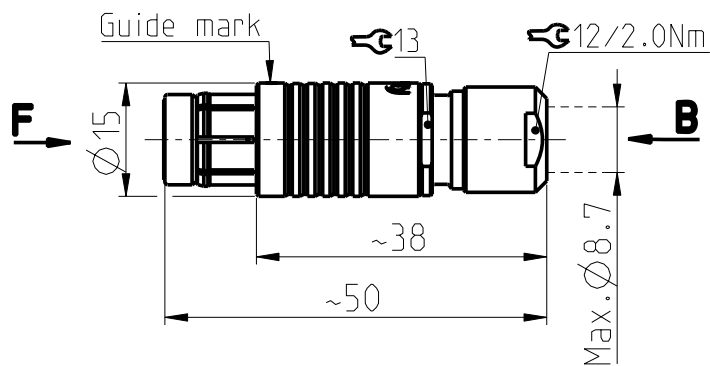
www.fischerconnectors.com

# S/SC/SOV 104 Multipole Plugs

All dimensions see note 1)

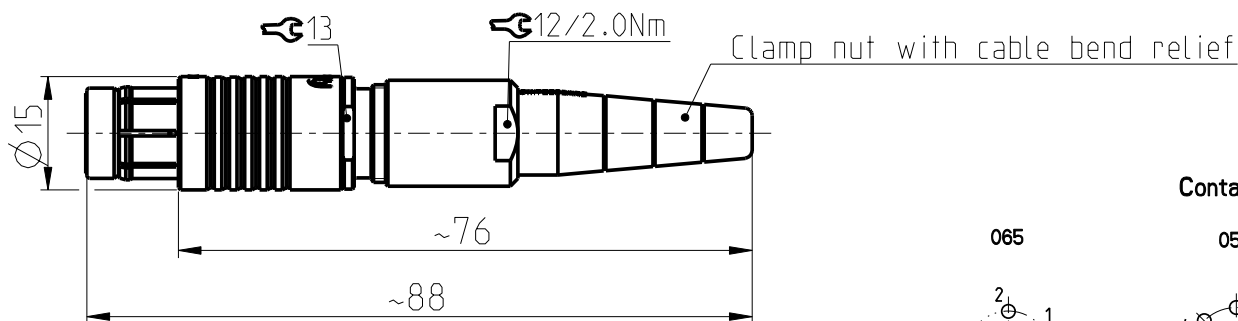
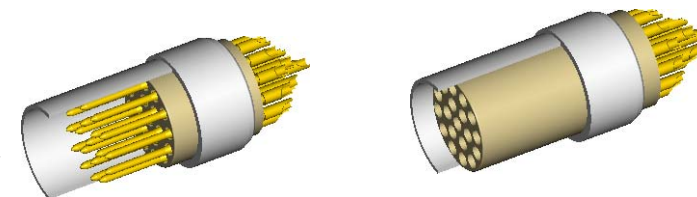
S/SC

SOV



Contact polarity A

Contact polarity Z



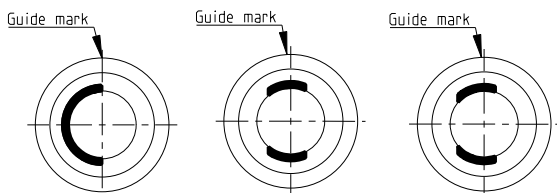
CONTACT CONFIGURATION	Contacts	Solder cup $\phi$	Crimp cup <sup>(2)</sup> $\phi$
104 A Z 065	6	0.79	0.80
104 A Z 054	7	0.79	-
104 A Z 066	8	0.79	0.80
104 A Z 055	9	0.79/1.18	-
104 A Z 056	11	0.79	0.80

Keying codes (View from F)

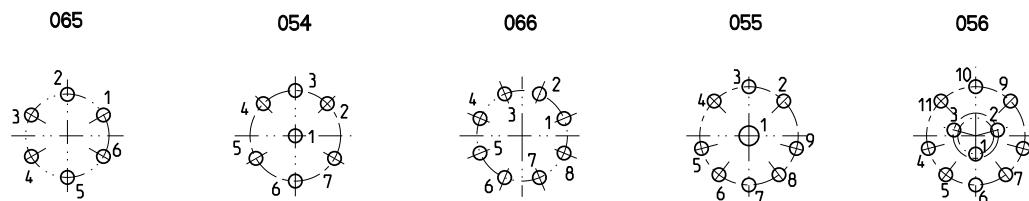
Code 1 (-1xx)

Code 2 (-2xx)

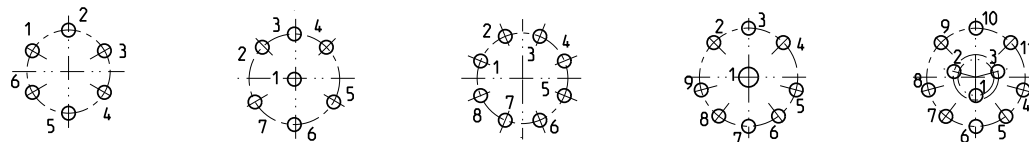
Code 3 (-3xx)



Contact configuration for polarity A (View from B)



Contact configuration for polarity Z (View from B)



All dimensions in mm

Rev. Pages

Notes:  
 1) All tolerances resulting from connector assembly are typically  $\pm 0.3\text{mm}$   
 2) For optimum crimping refer to available crimping manual.  
 Part number example: S 104 A092-130+

600480

1d

2/3

**fischer**  
CONNECTORS

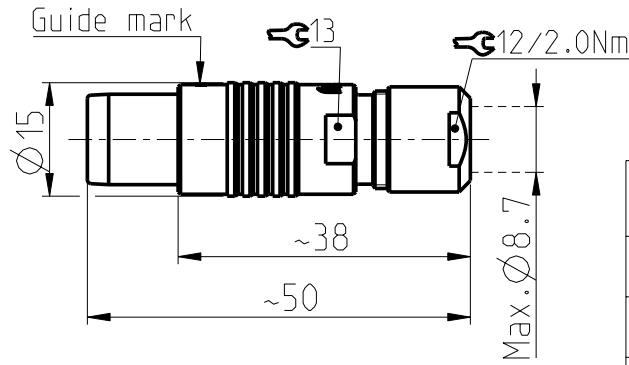
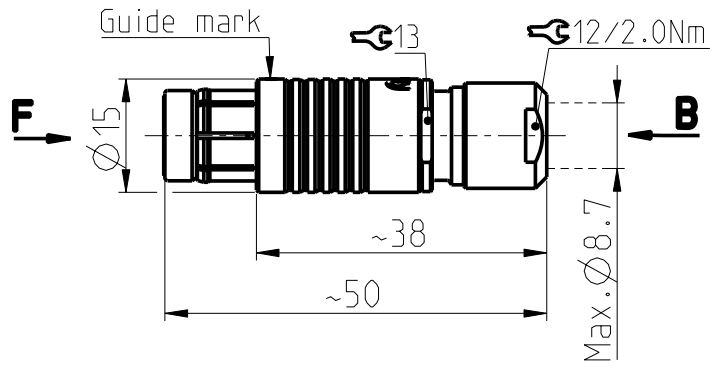
www.fischerconnectors.com

# S/SC/SOV 104 Multipole Plugs

All dimensions see note 1)

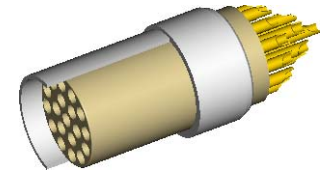
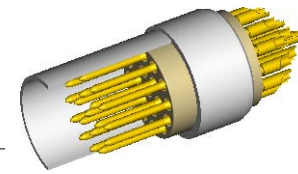
S/SC

SOV



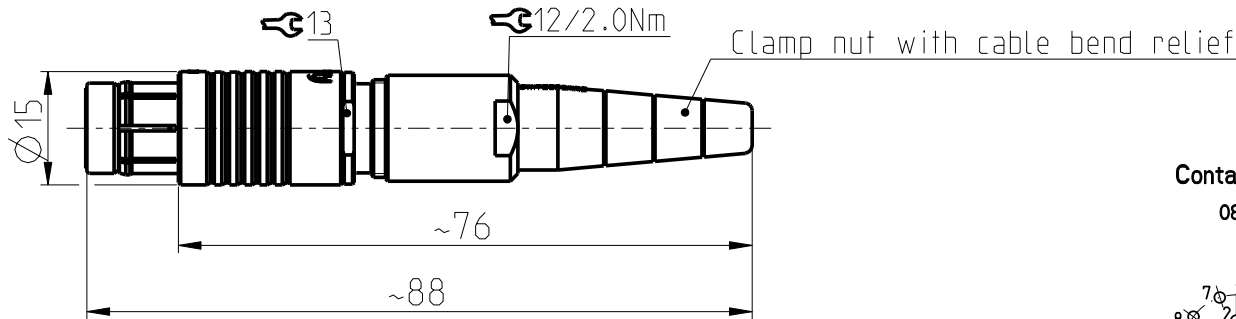
Contact polarity A

Contact polarity Z



CONTACT CONFIGURATION	Contacts	Solder cup $\varnothing$	Crimp cup $\varnothing$ <sup>(2)</sup>
104 A Z 086	16	0.79	0.60
104 A Z 092	19	0.79	0.60
*104 A 124	27	-	0.43

\*Please contact us for additional information



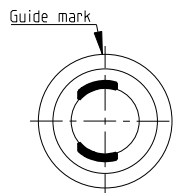
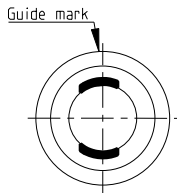
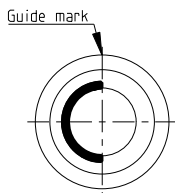
Clamp nut with cable bend relief

Keying codes (View from F)

Code 1 (-1xx)

Code 2 (-2xx)

Code 3 (-3xx)

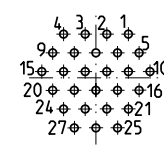
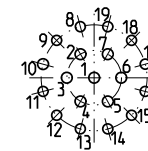
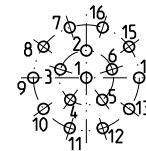


Contact configuration for polarity A (View from B)

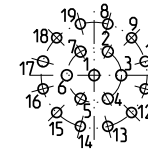
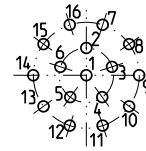
086

092

124



Contact configuration for polarity Z (View from B)



All dimensions in mm

600480

Rev.

1d

Pages

3/3

Notes:

- 1) All tolerances resulting from connector assembly are typically  $\pm 0.3\text{mm}$
  - 2) For optimum crimping refer to available crimping manual.
- Part number example : S 104 A092-130+

**fischer**  
CONNECTORS

www.fischerconnectors.com