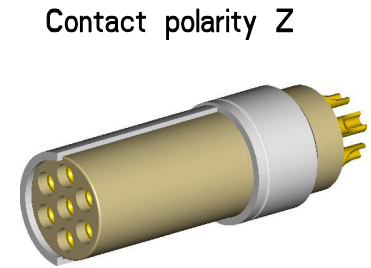
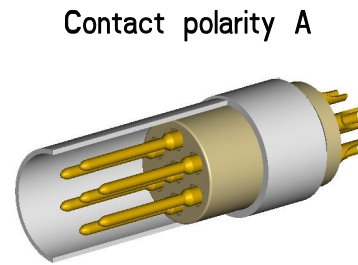
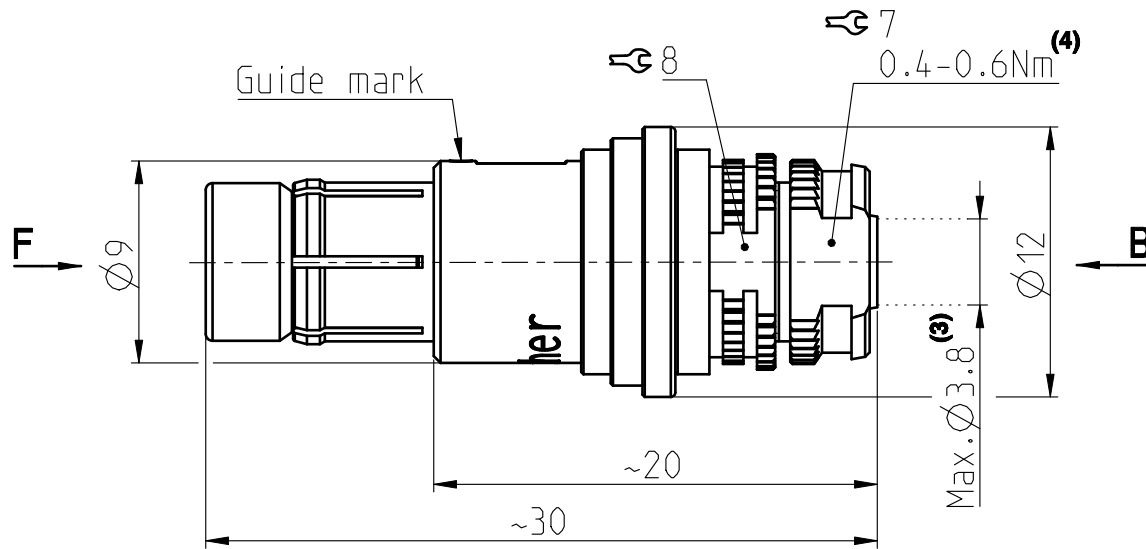


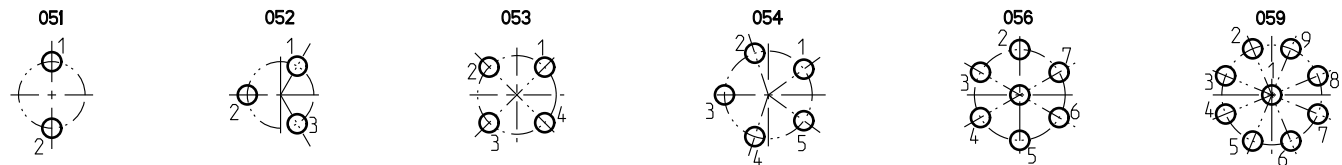
SS/SSC 102 Multipole Plugs

All dimensions see note 1)

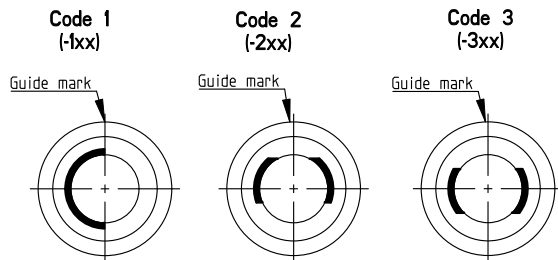


CONTACT CONFIGURATION	Contacts	Solder cup ϕ		Crimp cup ϕ ⁽²⁾
102 A Z 051	2	0.79		0.80
102 A Z 052	3	0.79		-
102 A Z 053	4	0.79		0.60
102 A Z 054	5	0.79		0.60
102 A Z 056	7	0.43		0.43
102 A Z 059	9	0.43		-

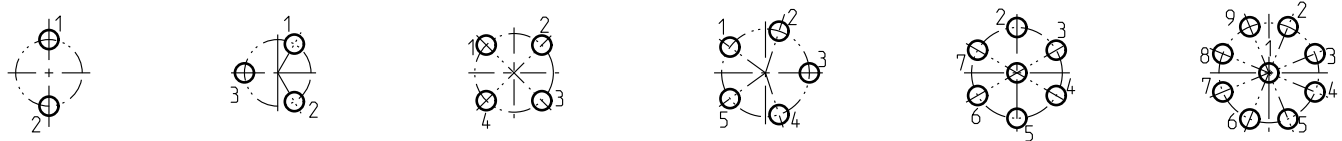
Contact configuration for polarity A (View from B)



Keying codes (View from F)



Contact configuration for polarity Z (View from B)



All dimensions in mm

Rev. Pages

Notes :

- 1) All tolerances resulting from connector assembly are typically $\pm 0.3\text{mm}$
 - 2) For optimum crimping refer to available crimping manual.
 - 3) Max cable diameter below shield
- Part number example : SS 102 A056-130

4) This torque is a recommended value that may be influenced by the characteristics of the cable. Tests have to be made to evaluate the exact value. To secure the back nut, we recommend the use of thread locking adhesive.

600475

2

1/1

fischer
CONNECTORS

www.fischerconnectors.com