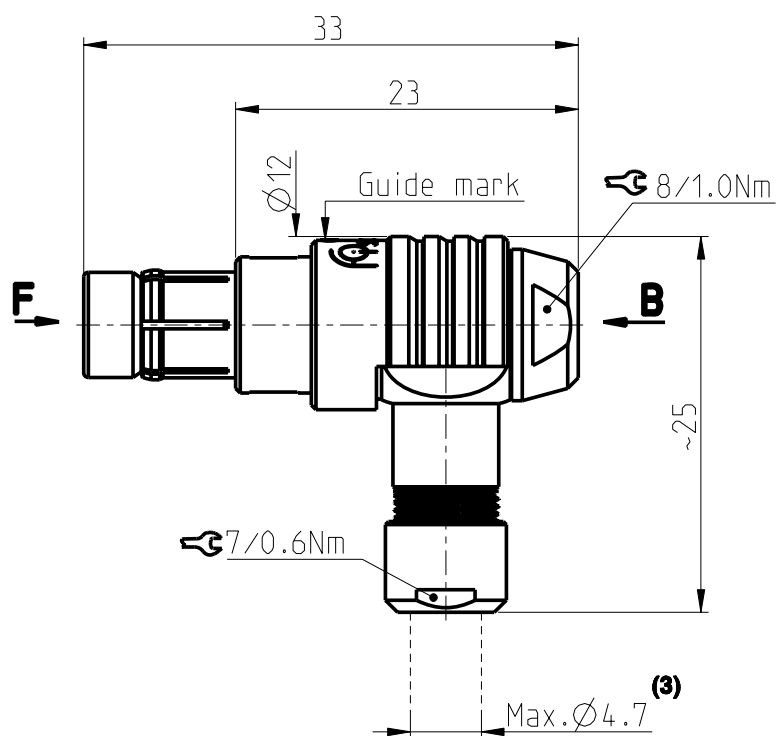


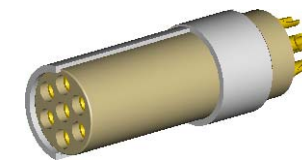
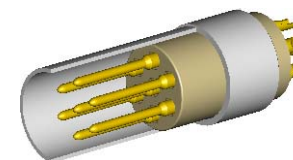
WSO 102 Multipole Plugs

All dimensions see note 1)



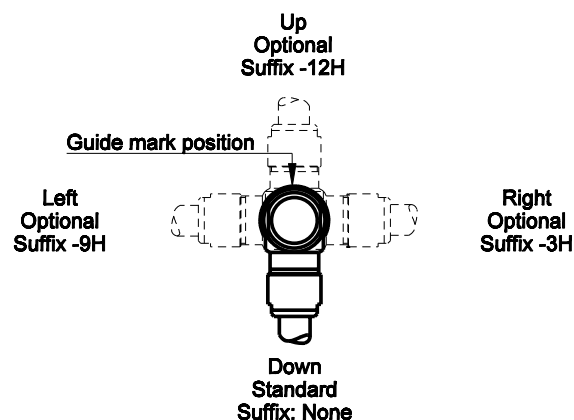
Contact polarity A

Contact polarity Z



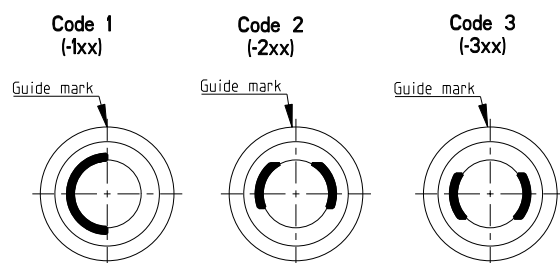
Cable Orientation

(View from B)

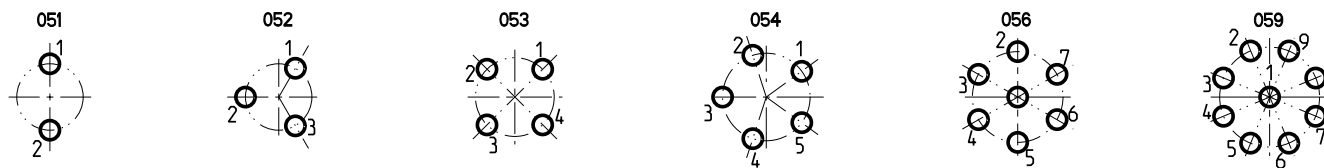


CONTACT CONFIGURATION	Contacts	Solder cup ϕ		Crimp cup ϕ ⁽²⁾
102 A Z 051	2	0.79		-
102 A Z 052	3	0.79		-
102 A Z 053	4	0.79		0.60
102 A Z 054	5	0.79		0.60
102 A Z 056	7	0.43		0.43
102 A Z 059	9	0.43		-

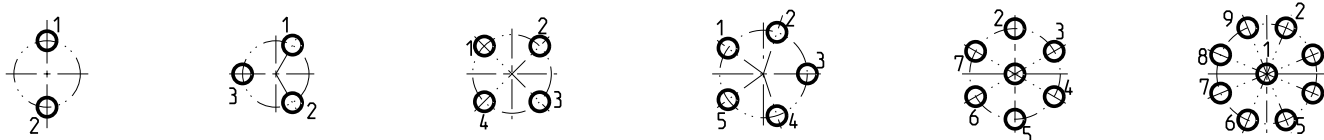
Keying codes (View from F)



Contact configuration for polarity A (View from B)



Contact configuration for polarity Z (View from B)



All dimensions in mm

Rev.

Pages

Notes :

- 1) All tolerances resulting from connector assembly are typically $\pm 0.3\text{mm}$
- 2) For optimum crimping refer to available crimping manual.
- 3) Max cable diameter with unsealed clamp set.
Max $\phi 4.3\text{mm}$ with sealed clamp set.

Part number example : WSO 102 A056-130+

600500

1b

1/1

fischer
CONNECTORS

www.fischerconnectors.com