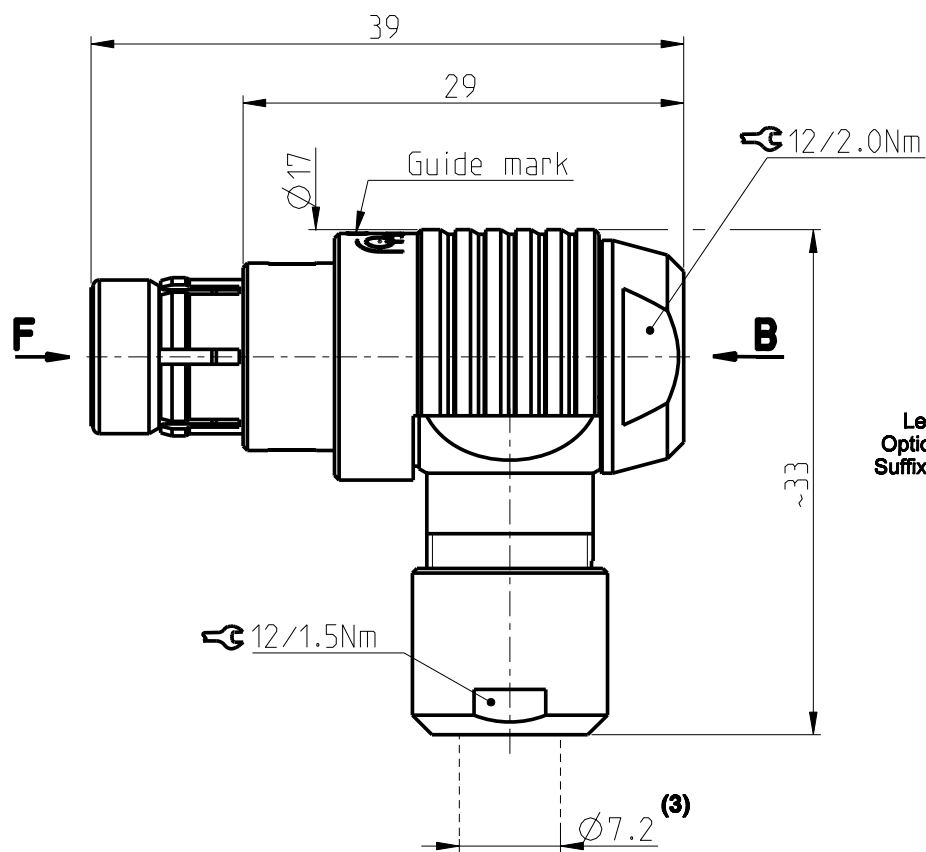


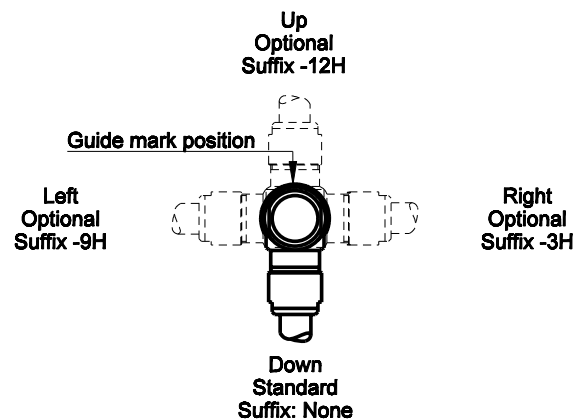
WSO 1031 Multipole Plugs

All dimensions see note 1)

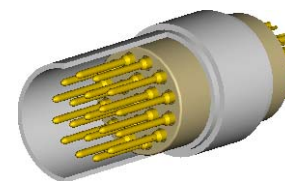


Cable Orientation

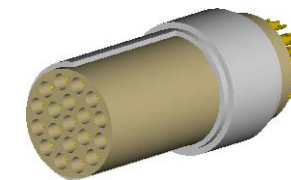
(View from B)



Contact polarity A

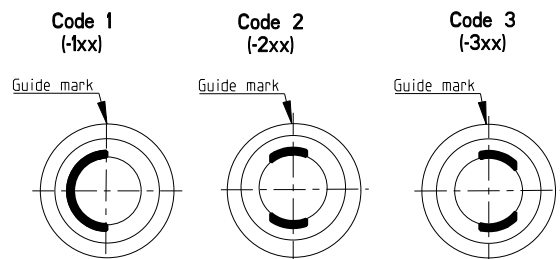


Contact polarity Z

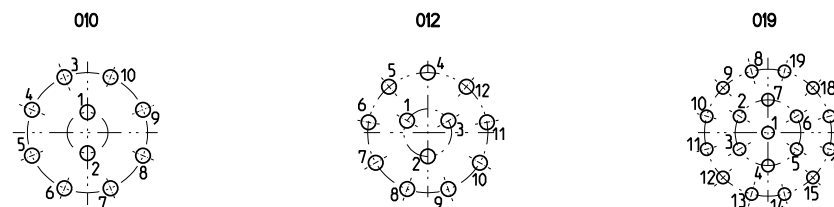


CONTACT CONFIGURATION	Contacts	Solder cup \varnothing	Crimp cup \varnothing ⁽²⁾
1031 A Z 010	10	0.79	0.60
1031 A Z 012	12	0.79	0.60
1031 A Z 019	19	0.43	0.43

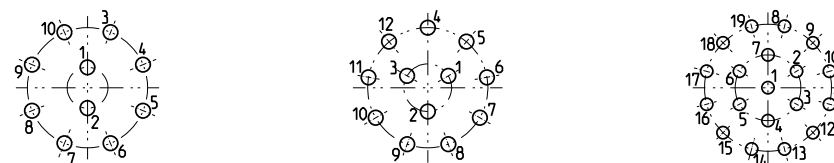
Keying codes (View from F)



Contact configuration for polarity A (View from B)



Contact configuration for polarity Z (View from B)



All dimensions in mm

600504

Rev.

1a

Pages

1/1

Notes :

- 1) All tolerances resulting from connector assembly are typically ± 0.3 mm
- 2) For optimum crimping refer to available crimping manual.
- 3) Max cable diameter with unsealed clamp set. Max \varnothing 6.7mm with sealed clamp set.

Part number example : WSO 1031 A019-130+

fischer
CONNECTORS

www.fischerconnectors.com