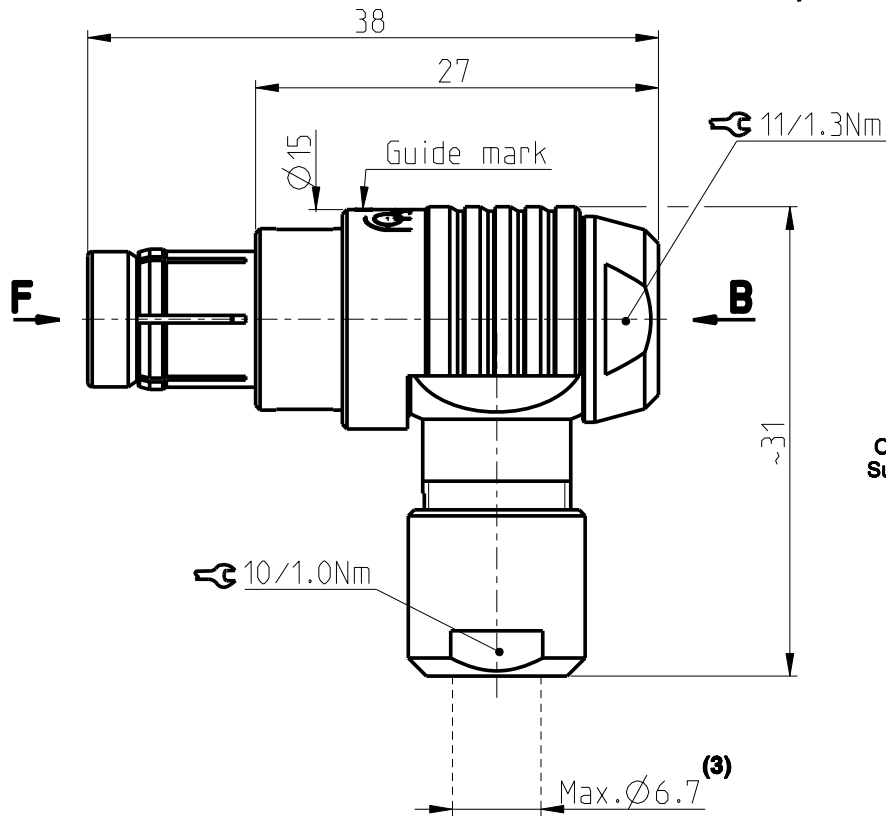
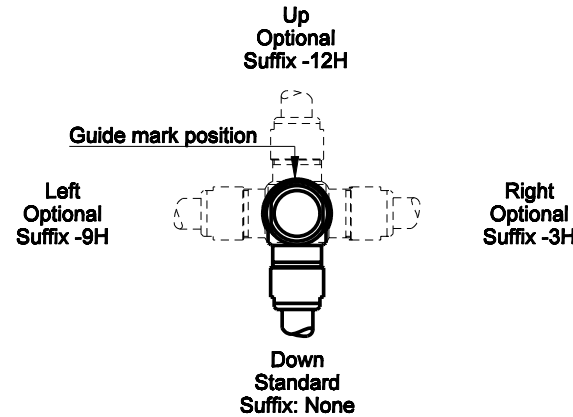


WSO 103 Multipole Plugs

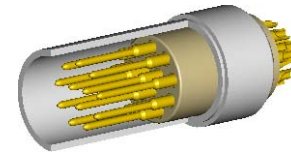
All dimensions see note 1)



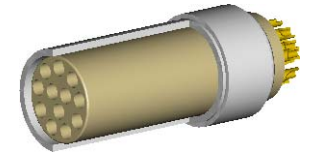
Cable Orientation (View from B)



Contact polarity A

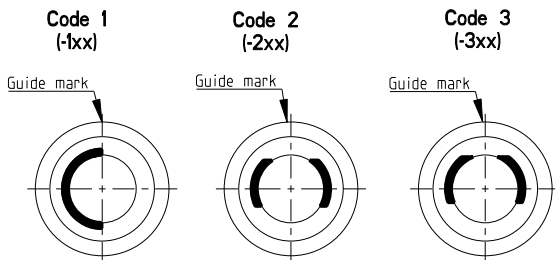


Contact polarity Z

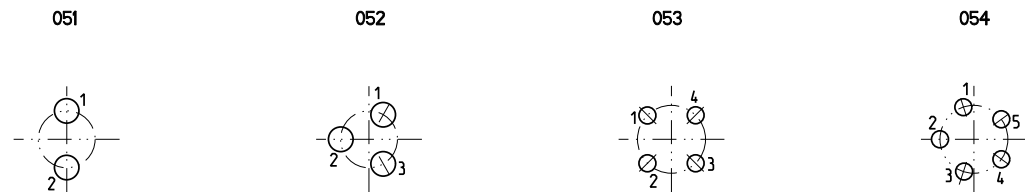


CONTACT CONFIGURATION			Contacts	Solder cup \varnothing	Crimp ⁽²⁾ \varnothing
103	A Z	051	2	1.18	1.18
103	A Z	052	3	1.18	-
103	A Z	053	4	0.79	-
103	A Z	054	5	0.79	0.80

Keying codes (View from F)



Contact configuration for polarity A (View from B)



Contact configuration for polarity Z (View from B)



All dimensions in mm

600501

Rev.

1a

Pages

1/2

Notes :

- 1) All tolerances resulting from connector assembly are typically $\pm 0.3\text{mm}$
- 2) For optimum crimping refer to available crimping manual.
- 3) Max cable diameter with unsealed clamp set.
Max $\varnothing 7.2\text{mm}$ with sealed clamp set.

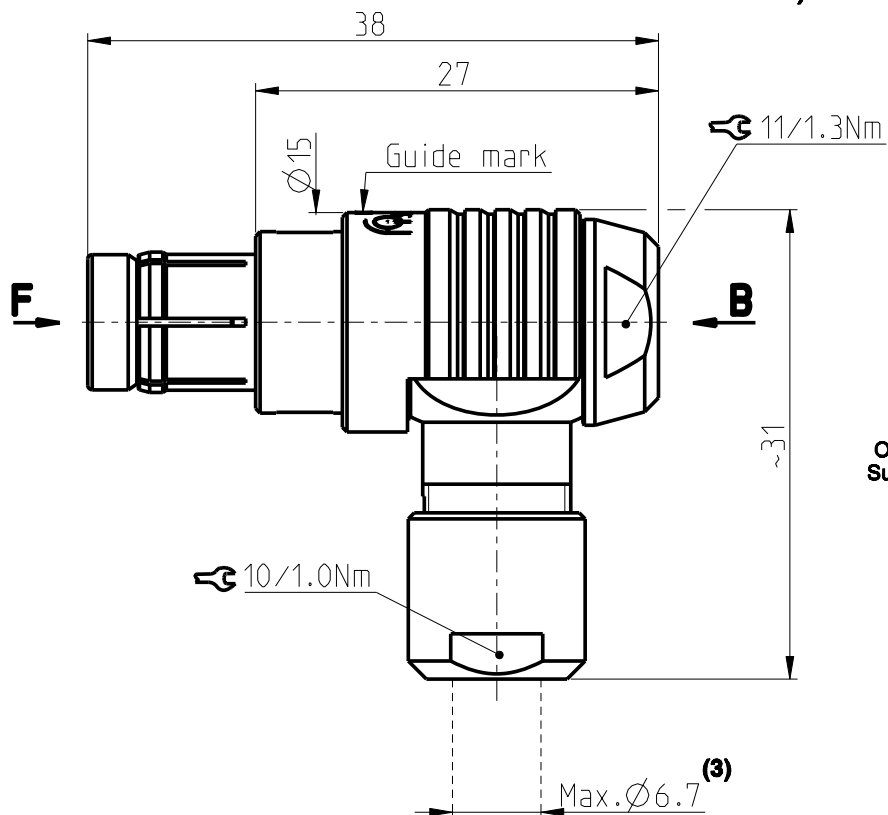
Part number example : WSO 103 A062-130+

fischer
CONNECTORS

www.fischerconnectors.com

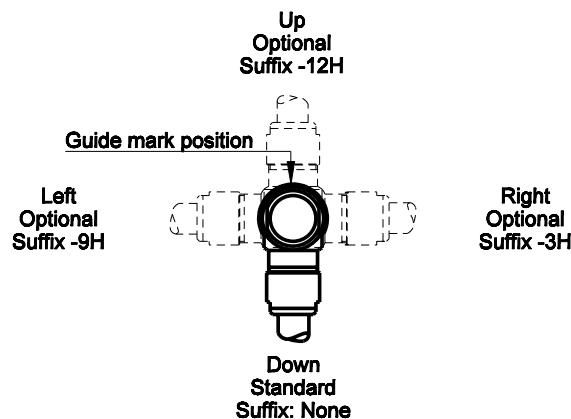
WSO 103 Multiplole Plugs

All dimensions see note 1)



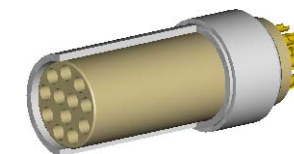
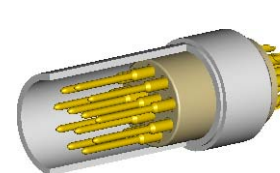
Cable Orientation

(View from B)



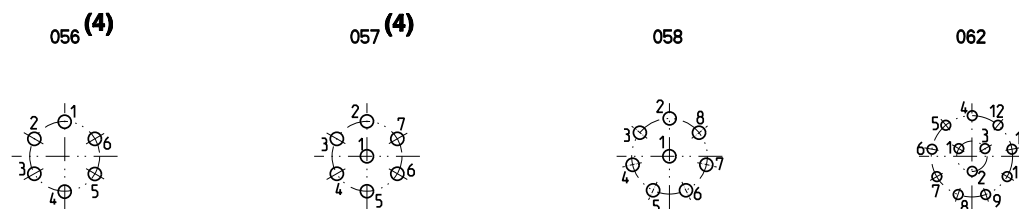
Contact polarity A

Contact polarity Z

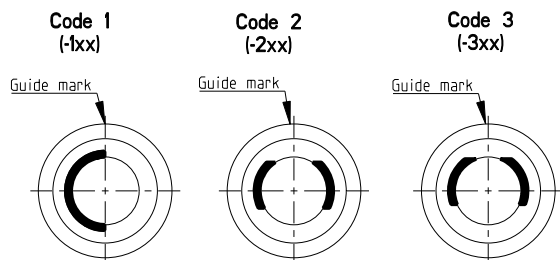


CONTACT CONFIGURATION	Contacts	Solder cup \varnothing		Crimp cup \varnothing ⁽²⁾
103 A Z 056	6	0.79		0.60
103 A Z 057	7	0.79		0.60
103 A Z 058	8	0.79		0.60
103 A Z 062	12	0.43		-

Contact configuration for polarity A (View from B)



Keying codes (View from F)



Contact configuration for polarity Z (View from B)



All dimensions in mm

Rev.

Pages

Notes :

- 1) All tolerances resulting from connector assembly are typically ± 0.3 mm
- 2) For optimum crimping refer to available crimping manual.
- 3) Max cable diameter with unsealed clamp set.
Max $\varnothing 6.2$ mm with sealed clamp set.

4) Only valid for Code 1. For other codes please contact us.
Part number example : WSO 103 A062-130+

600501

1a

2/2

fischer
CONNECTORS

www.fischerconnectors.com