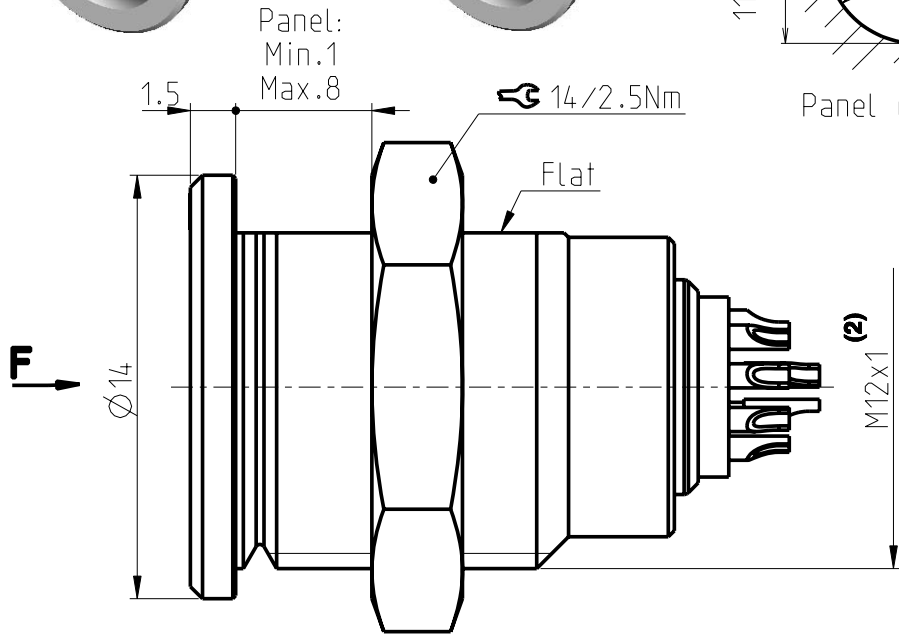
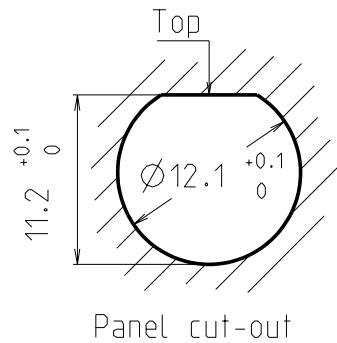
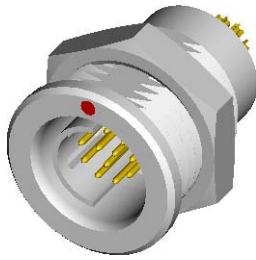
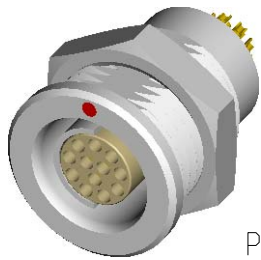


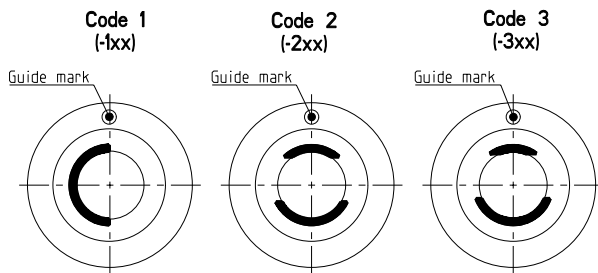
D 103 Multipole Receptacles

Contact polarity A

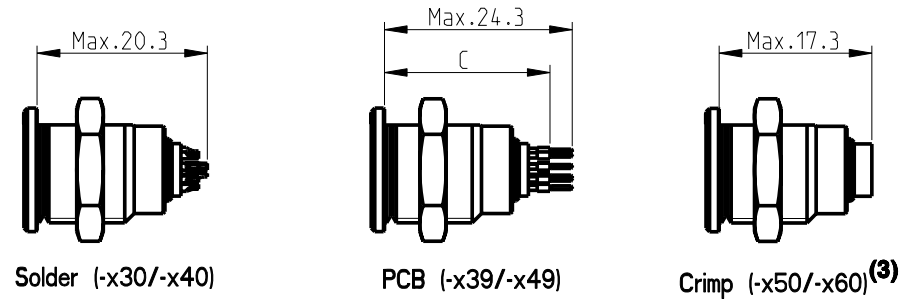
Contact polarity Z



Keying codes (View from F)

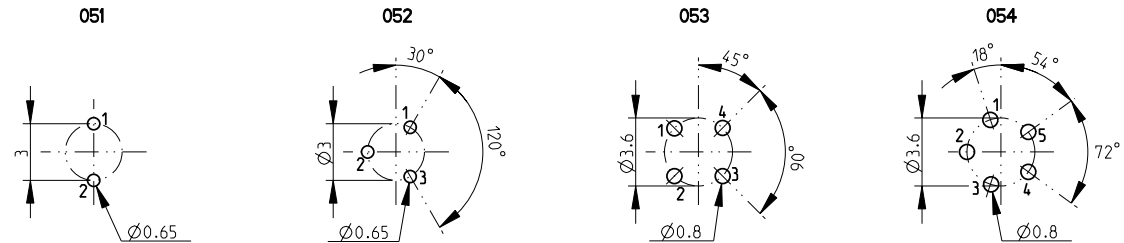


All dimensions see note 1)

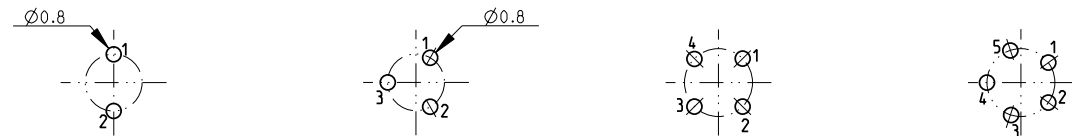


CONTACT CONFIGURATION	Contacts	Solder cup ϕ	C	PIN ϕ	Crimp cup ϕ
103 A Z 051	2	1.18	18.8 19.4	0.50 0.63	1.18
103 A Z 052	3	1.18	20.8 19.3	0.50 0.63	-
103 A Z 053	4	0.79	18.8 18.9	0.63	-
103 A Z 054	5	0.79	18.8 18.9	0.63	0.80

Pin layout / PCB hole pattern for polarity A - View from F ⁽⁴⁾



Polarity Z - View from F



All dimensions in mm

600489

Rev.

2

Pages

1/2

Notes:

- 1) All tolerances resulting from connector assembly are typically ± 0.3 mm
- 2) If receptacle is screwed directly into threaded hole, oversize thread by $+0.05$ mm
- 3) For optimum crimping refer to available crimping manual.

4) Recommended PCB hole dimensions may be adjusted to application
 Part number example : D 103 A062-130

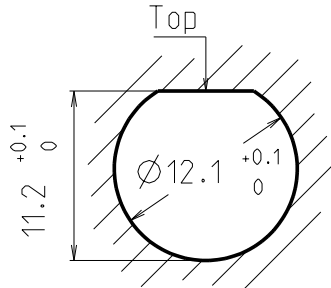
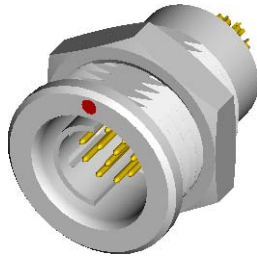
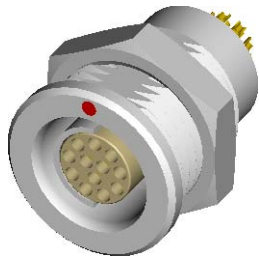
fischer
 CONNECTORS

www.fischerconnectors.com

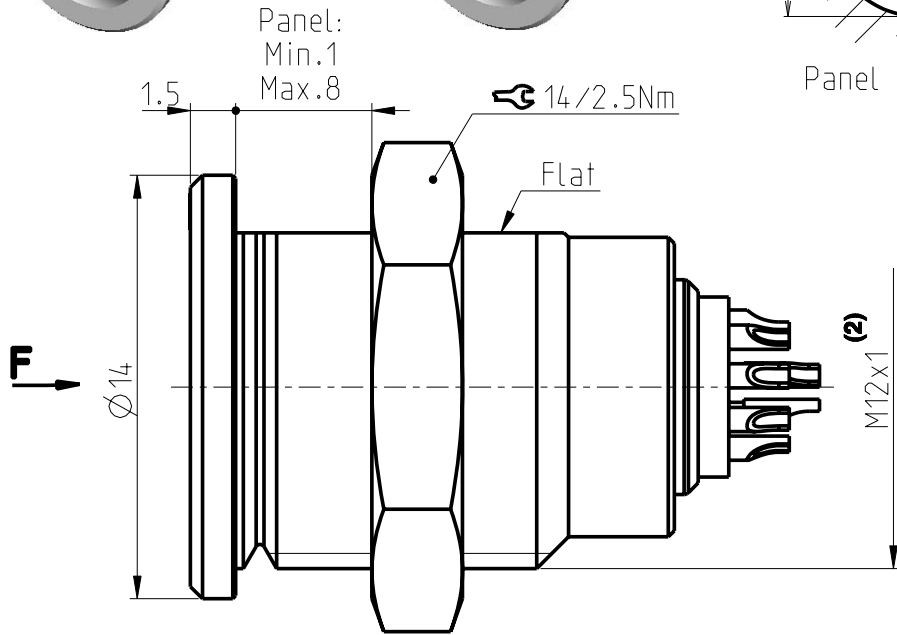
D 103 Multipole Receptacles

Contact polarity A

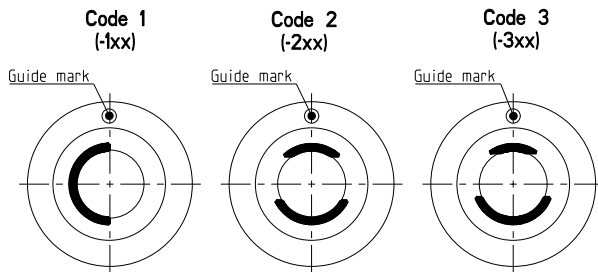
Contact polarity Z



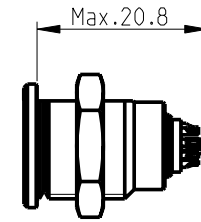
Panel cut-out



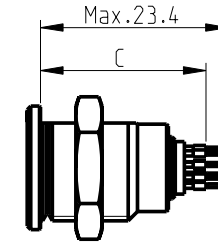
Keying codes (View from F)



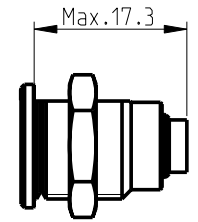
All dimensions see note 1)



Solder (-x30/-x40)



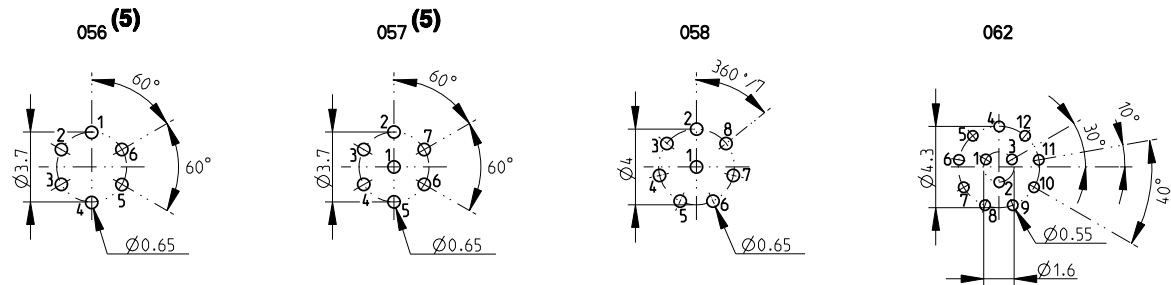
PCB (-x39/-x49)



Crimp (-x50/-x60)⁽³⁾

CONTACT CONFIGURATION	Contacts	Solder cup ϕ	C	PIN ϕ	Crimp cup ϕ	
103 A Z	056	6	0.79	18.8 18.9	0.50	0.60
103 A Z	057	7	0.79	18.8 18.9	0.50	0.60
103 A Z	058	8	0.79	18.8 20.9	0.50	0.60
103 A Z	062	12	0.43	18.8 16.4	0.40 0.63	-

Pin layout / PCB hole pattern for polarity A - View from F ⁽⁴⁾



Polarity Z - View from F



All dimensions in mm

600489

Rev.

2

Pages

2/2

Notes :

- 1) All tolerances resulting from connector assembly are typically ± 0.3 mm
- 2) If receptacle is screwed directly into threaded hole, oversize thread by $+0.05$ mm
- 3) For optimum crimping refer to available crimping manual.

4) Recommended PCB hole dimensions may be adjusted to application

5) Only valid for Code 1. For other codes please contact us.

Part number example : D 103 A062-130

fischer
CONNECTORS

www.fischerconnectors.com