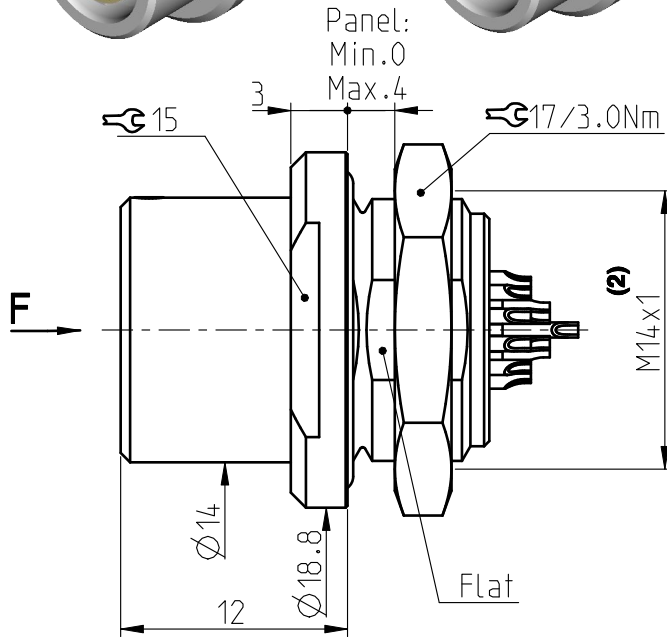
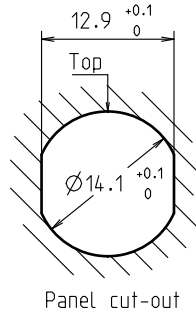
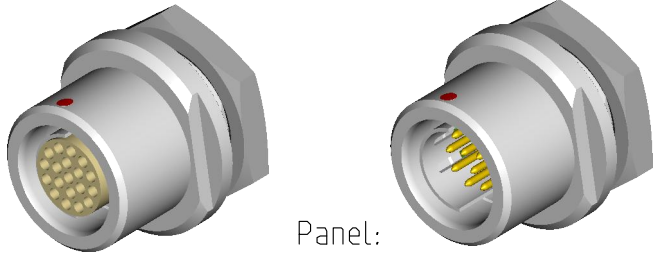


DBEE/U 1031 Multipole Receptacles

Contact polarity A

Contact polarity Z

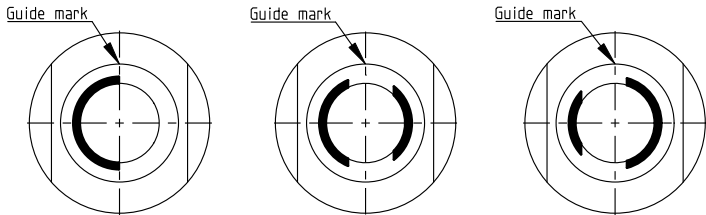


Keying codes (View from F)

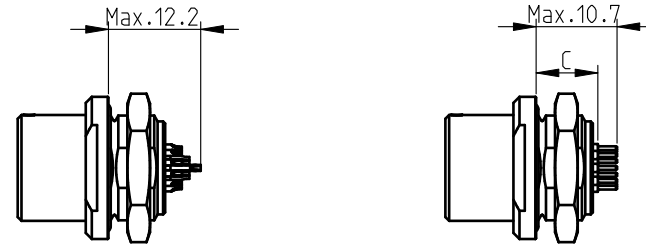
Code 1 (-1xx)

Code 2 (-2xx)

Code 3 (-3xx)



All dimensions see note 1)

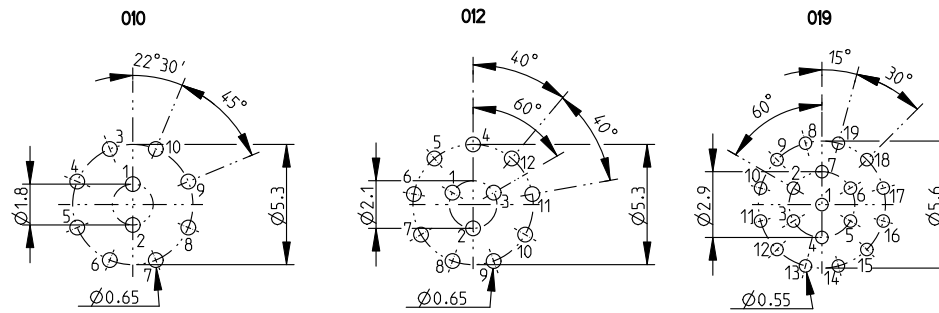


Solder (-x30/-x40)

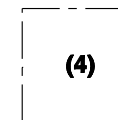
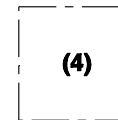
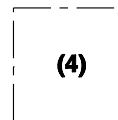
PCB (-x39/-x49)

CONTACT CONFIGURATION	Contacts	Solder cup ϕ	C	PIN ϕ
1031 A Z	010	10	0.79	8.2 - 0.50
1031 A Z	012	12	0.79	8.2 - 0.50
1031 A Z	019	19	0.43	8.2 - 0.40

Pin layout / PCB hole pattern for polarity A - View from F (3)



Polarity Z - View from F



All dimensions in mm

Rev.

Pages

Notes :

- 1) All tolerances resulting from connector assembly are typically ± 0.3 mm
- 2) If receptacle is screwed directly into threaded hole, oversize thread by $+0.05$ mm

3) Recommended PCB hole dimensions may be adjusted to application

4) Please contact us

Part number example : DBEE 1031 A019-130

600542

2b

1/1

fischer
CONNECTORS