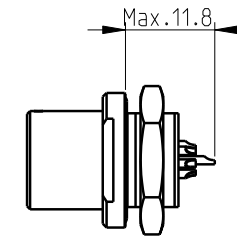
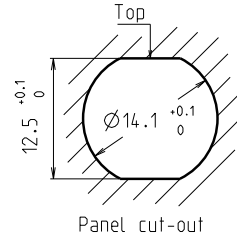


# DBEE/U 103 Multipole Receptacles

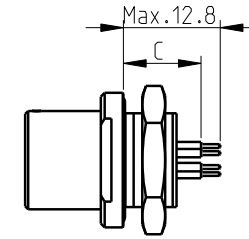
All dimensions see note 1)

Contact polarity A

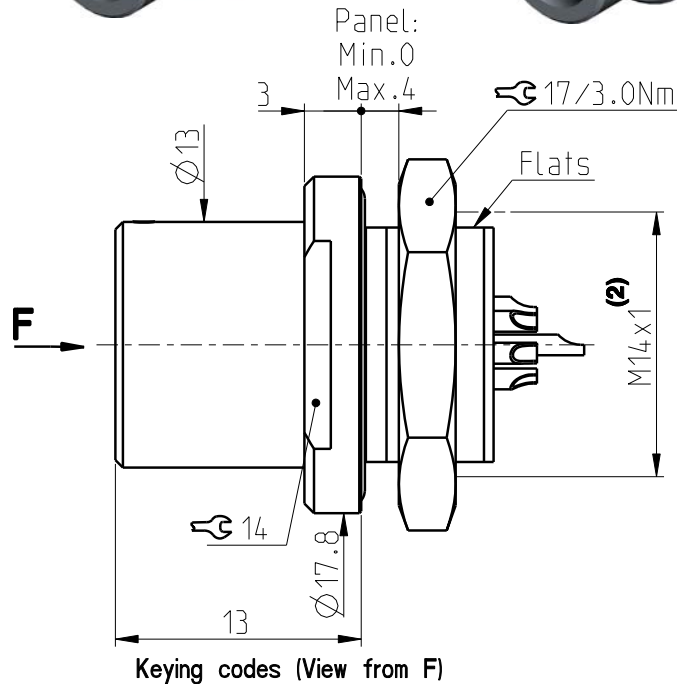
Contact polarity Z



Solder (-x30/-x40)



PCB (-x39/-x49)

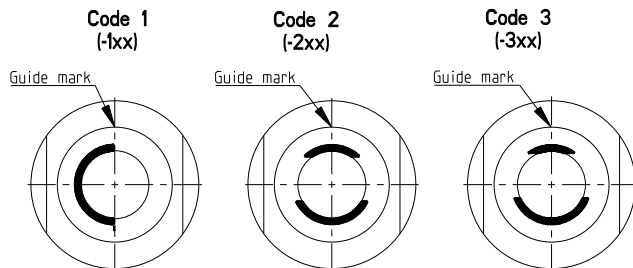
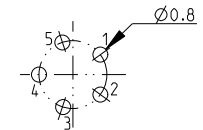
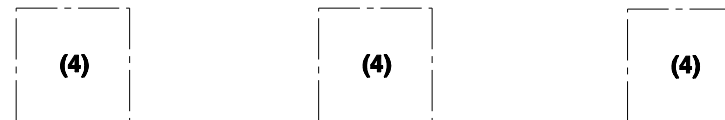


CONTACT CONFIGURATION	Contacts	Solder cup $\varnothing$	C	PIN $\varnothing$
103 A Z 051	2	1.18	-	-
103 A Z 052	3	1.18	-	-
103 A Z 053	4	0.79	-	-
103 A Z 054	5	0.79	10.3	0.63

Pin layout / PCB hole pattern for polarity A - View from F (3)



Polarity Z - View from F



All dimensions in mm

600544

Rev. Pages

2b 1/2

Notes:  
 1) All tolerances resulting from connector assembly are typically  $\pm 0.3$ mm  
 2) If receptacle is screwed directly into threaded hole, oversize thread by  $+0.05$ mm

3) Recommended PCB hole dimensions may be adjusted to application  
 4) Please contact us  
 Part number example : DBEE 103 A058-130



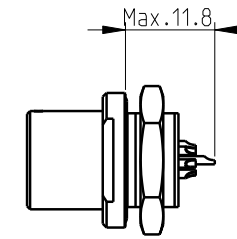
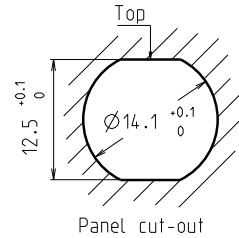
www.fischerconnectors.com

# DBEE/U 103 Multipole Receptacles

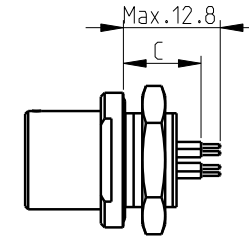
All dimensions see note 1)

Contact polarity A

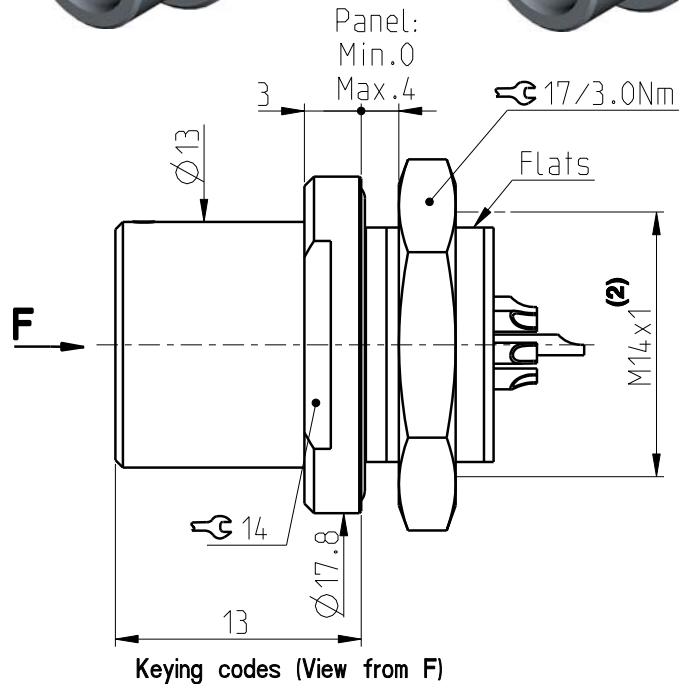
Contact polarity Z



Solder (-x30/-x40)

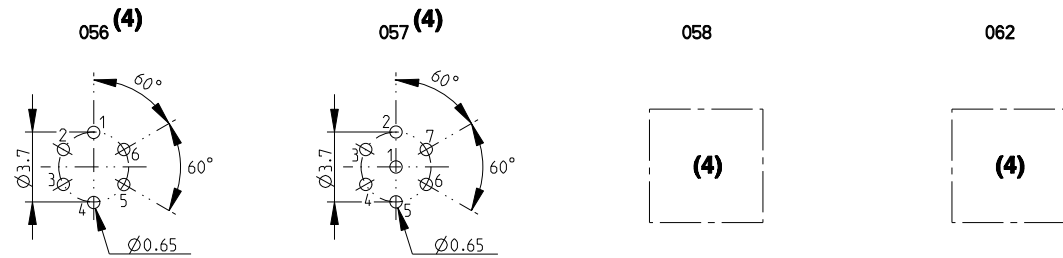


PCB (-x39/-x49)

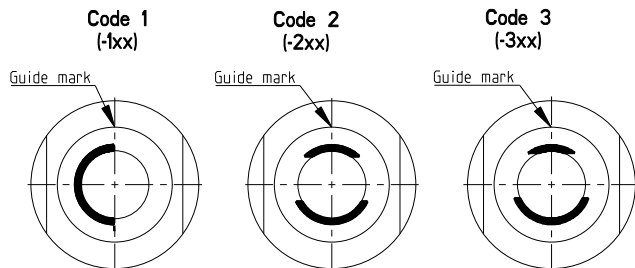


CONTACT CONFIGURATION	Contacts	Solder cup $\varnothing$	C	PIN $\varnothing$
103 A Z 056	6	0.79	10.3	0.50
103 A Z 057	7	0.79	7.7	0.50
103 A Z 058	8	0.79	-	-
103 A Z 062	12	0.43	-	-

Pin layout / PCB hole pattern for polarity A - View from F (3)



Polarity Z - View from F



All dimensions in mm

600544

Rev.

2b

Pages

2/2

Notes:

- 1) All tolerances resulting from connector assembly are typically  $\pm 0.3$ mm
- 2) If receptacle is screwed directly into threaded hole, oversize thread by  $+0.05$ mm

3) Recommended PCB hole dimensions may be adjusted to application

4) Please contact us

Part number example : DBEE 103 A058-130

**fischer**  
CONNECTORS

www.fischerconnectors.com