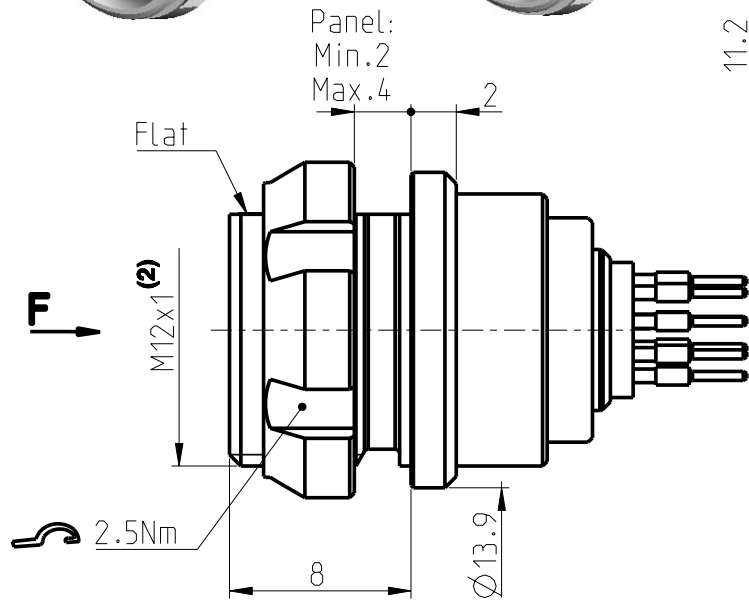
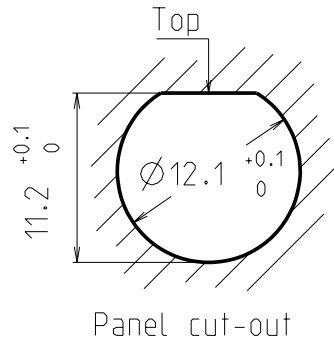
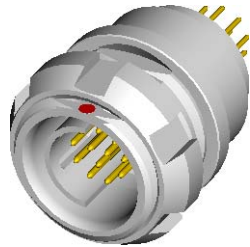


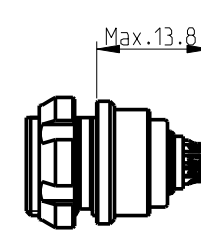
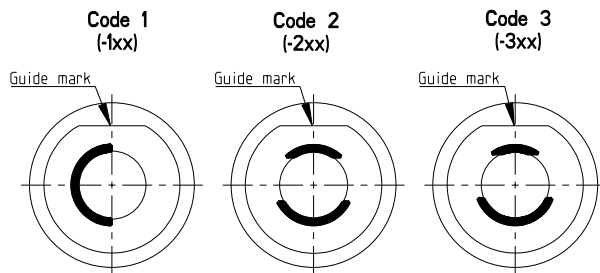
DBP 103 Multipole Receptacles

Contact polarity A

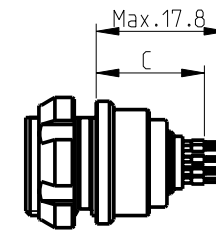
Contact polarity Z



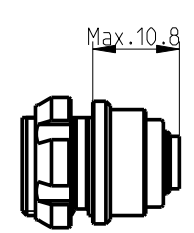
Keying codes (View from F)



Solder (-x39/-x49)



PCB (-x30/-x40)

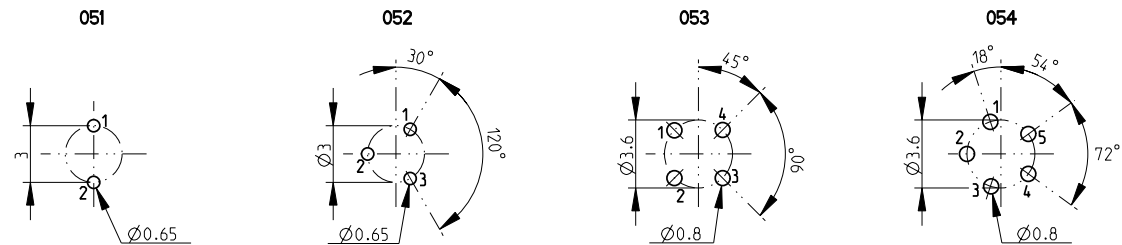


Crimp (-x50/-x60)⁽³⁾

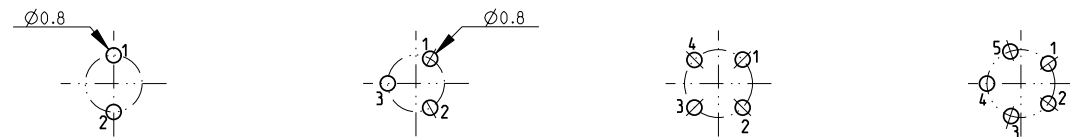
All dimensions see note 1)

CONTACT CONFIGURATION	Contacts	Solder cup \varnothing	C	PIN \varnothing	Crimp cup \varnothing
103 A Z 051	2	1.18	12.3 12.9	0.50 0.63	1.18
103 A Z 052	3	1.18	14.3 12.8	0.50 0.63	-
103 A Z 053	4	0.79	12.3 12.4	0.63	-
103 A Z 054	5	0.79	12.3 12.4	0.63	0.80

Pin layout / PCB hole pattern for polarity A - View from F ⁽⁴⁾



Polarity Z - View from F



All dimensions in mm

600488

Rev.

3

Pages

1/2

Notes:

- 1) All tolerances resulting from connector assembly are typically $\pm 0.3\text{mm}$
- 2) If receptacle is screwed directly into threaded hole, oversize thread by $+0.05\text{mm}$
- 3) For optimum crimping refer to available crimping manual.

4) Recommended PCB hole dimensions may be adjusted to application
Part number example : DBP 103 A062-130

fischer
CONNECTORS

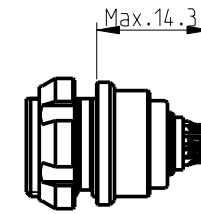
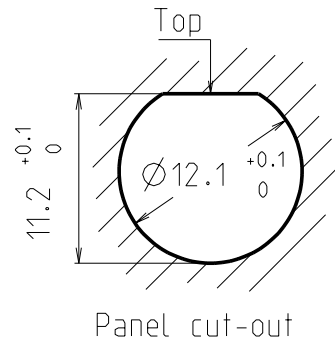
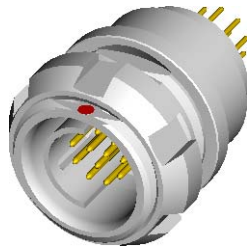
www.fischerconnectors.com

DBP 103 Multipole Receptacles

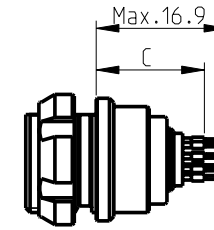
All dimensions see note 1)

Contact polarity A

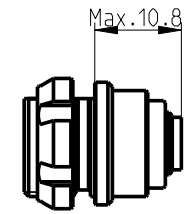
Contact polarity Z



Solder (-x39/-x49)

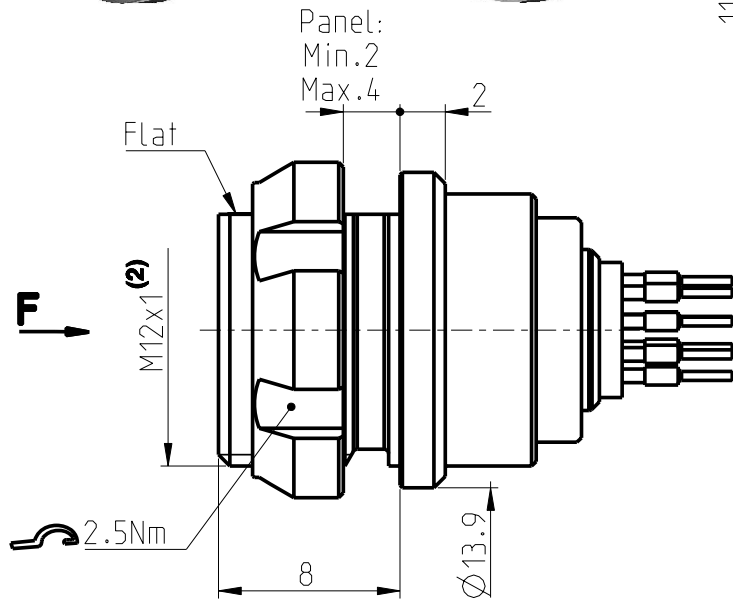


PCB (-x30/-x40)



Crimp (-x50/-x60)⁽³⁾

CONTACT CONFIGURATION	Contacts	Solder cup \varnothing	C	PIN \varnothing	Crimp cup \varnothing
103 A Z	056	6	0.79	12.3 12.4	0.60
103 A Z	057	7	0.79	12.3 12.4	0.60
103 A Z	058	8	0.79	12.3 14.4	0.60
103 A Z	062	12	0.43	12.3 10.1	-

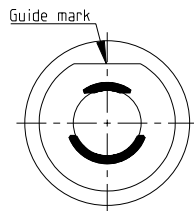
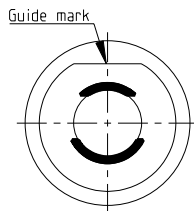
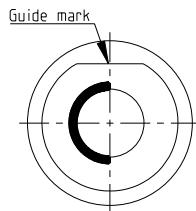


Keying codes (View from F)

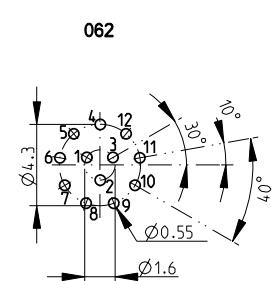
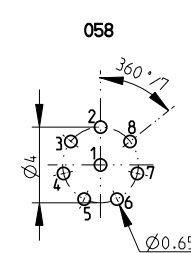
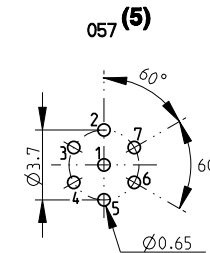
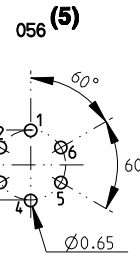
Code 1 (-1xx)

Code 2 (-2xx)

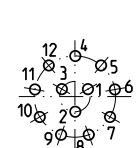
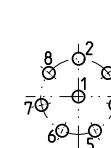
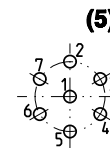
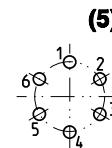
Code 3 (-3xx)



Pin layout / PCB hole pattern for polarity A - View from F (4)



Polarity Z - View from F



All dimensions in mm

600488

Rev.

3

Pages

2/2

Notes :

- 1) All tolerances resulting from connector assembly are typically ± 0.3 mm
- 2) If receptacle is screwed directly into threaded hole, oversize thread by $+0.05$ mm
- 3) For optimum crimping refer to available crimping manual.

4) Recommended PCB hole dimensions may be adjusted to application

5) Only valid for Code 1. For other codes please contact us.

Part number example : DBP 103 A062-130

fischer
CONNECTORS

www.fischerconnectors.com