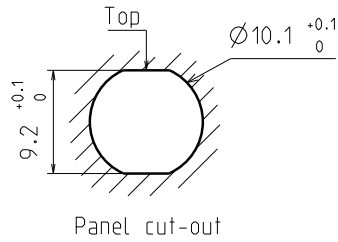


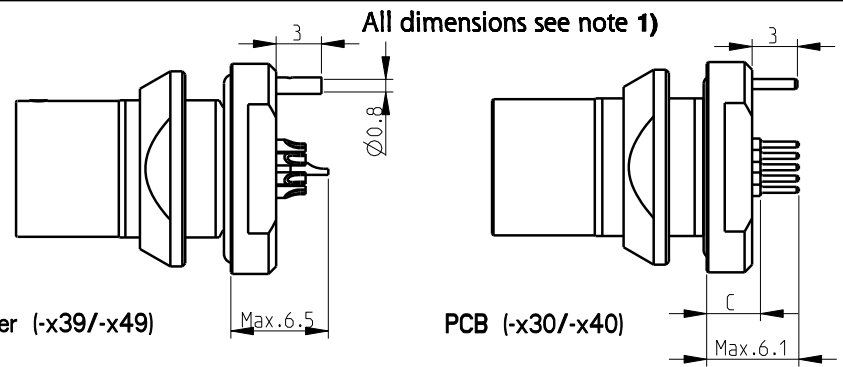
DBPLE/U 102 Multipole Receptacles

Contact polarity A

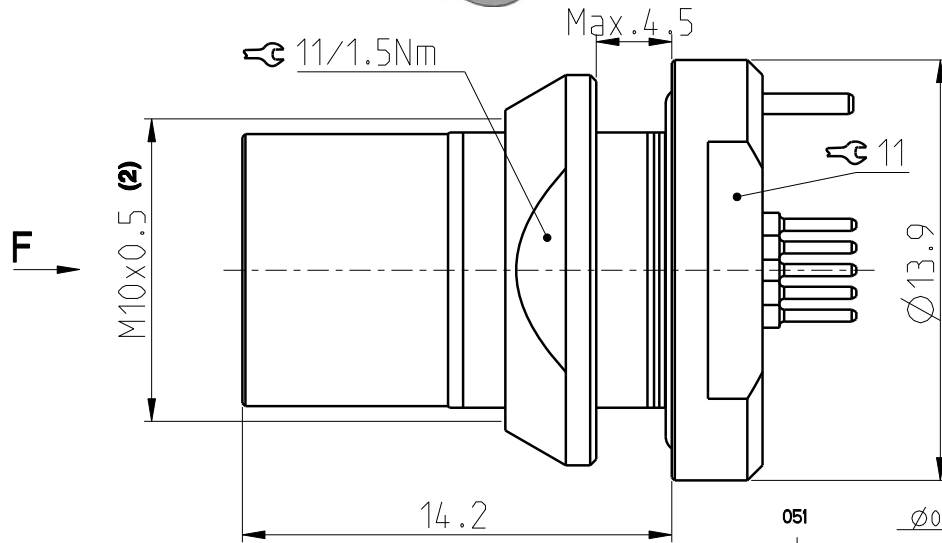
Contact polarity Z



Solder (-x39/-x49)



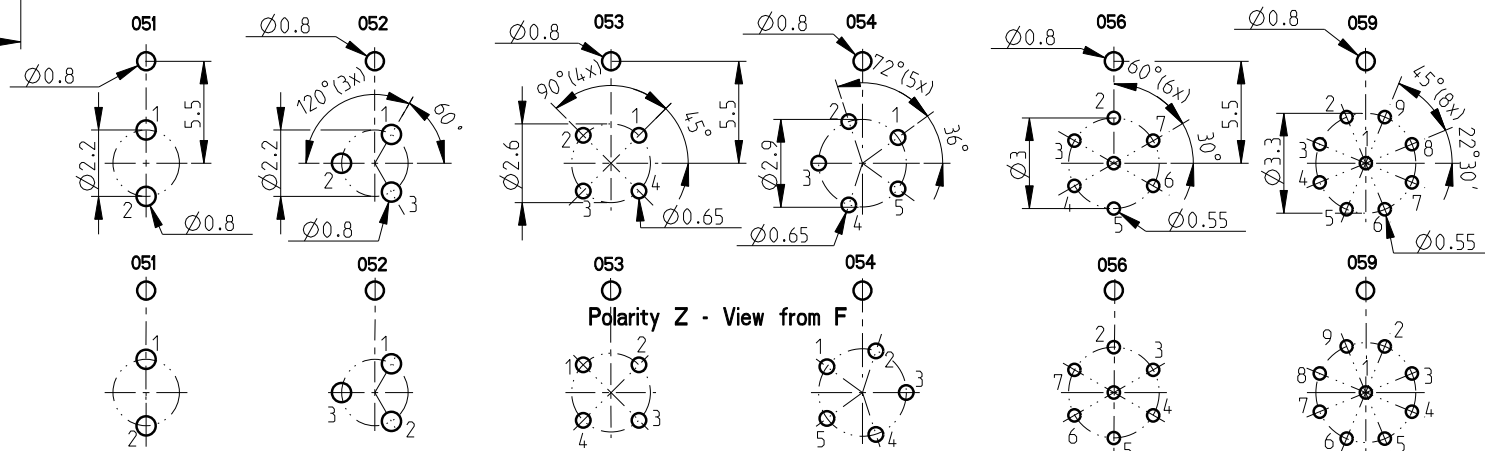
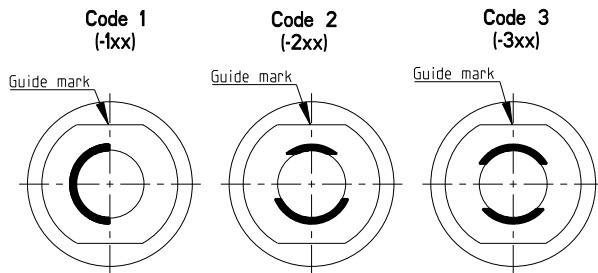
PCB (-x30/-x40)



CONTACT CONFIGURATION	Contacts	Solder cup \varnothing	C	PIN \varnothing
102 A Z 051	2	0.79	3.6	0.63
102 A Z 052	3	0.79	3.6	0.63
102 A Z 053	4	0.79	3.6	0.50
102 A Z 054	5	0.79	3.6	0.50
102 A Z 056	7	0.43	3.6	0.40
102 A Z 059	9	0.43	3.6	0.40

Pin layout / PCB hole pattern for polarity A - View from F (4)

Keying codes (View from F)



All dimensions in mm

Rev.

Pages

Notes:

- 1) All tolerances resulting from connector assembly are typically $\pm 0.3\text{mm}$
- 2) If receptacle is screwed directly into threaded hole, oversize thread by $+0.05\text{mm}$

4) Recommended PCB hole dimensions may be adjusted to application
Part number example : DBPLE 102 A056-130

600474

4

1/1

fischer
CONNECTORS