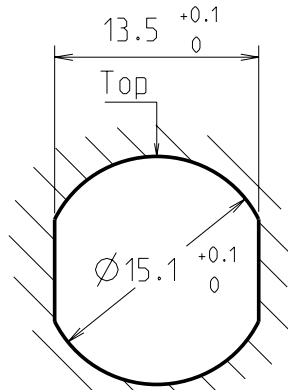
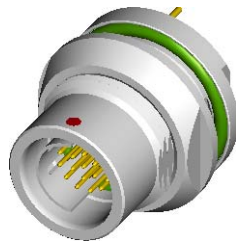


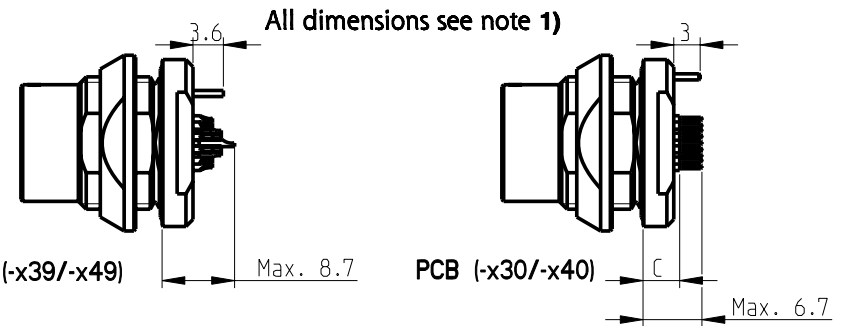
DBPLE/U 1031 Multipole Receptacles

Contact polarity A

Contact polarity Z



Panel cut-out



Solder (-x39/-x49)

Max. 8.7

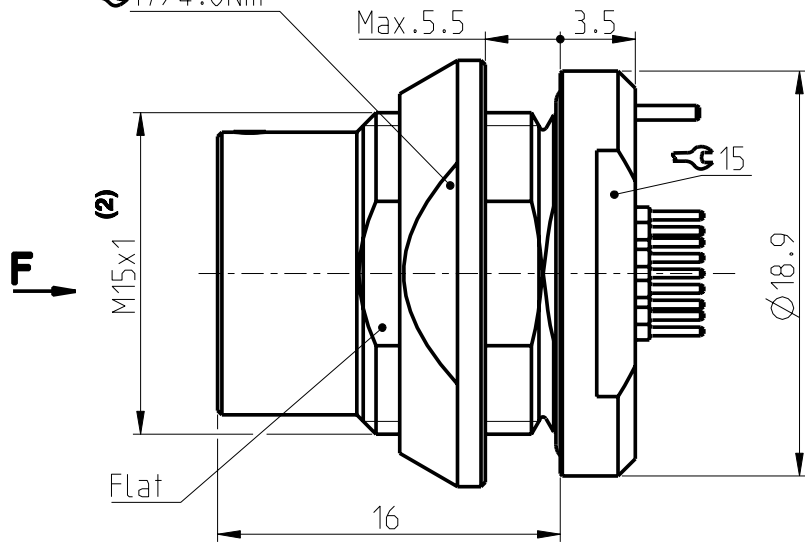
PCB (-x30/-x40)

C

Max. 6.7

Panel:
Min.1
Max.5.5

17/4.0Nm

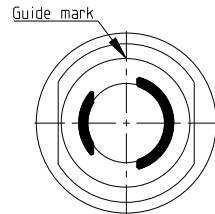
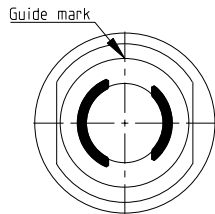
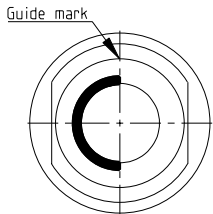


Keying codes (View from F)

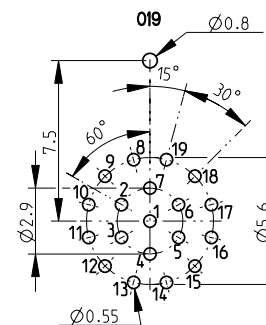
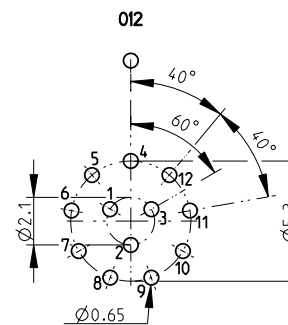
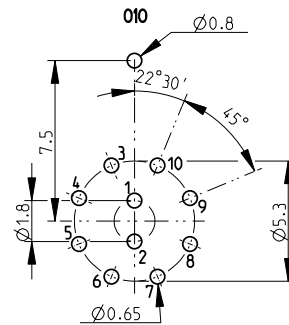
Code 1 (-1xx)

Code 2 (-2xx)

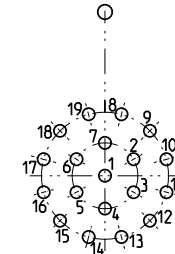
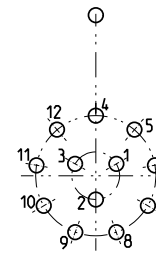
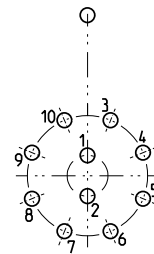
Code 3 (-3xx)



Pin layout / PCB hole pattern for polarity A - View from F (3)



Polarity Z - View from F



CONTACT CONFIGURATION	Contacts	Solder cup \varnothing	C	PIN \varnothing
1031 A Z 010	10	0.79	4.2 4.2	0.50
1031 A Z 012	12	0.79	4.2 4.2	0.50
1031 A Z 019	19	0.43	4.2 4.2	0.40

All dimensions in mm

600485

Rev. 2

Pages 1/1

Notes:
1) All tolerances resulting from connector assembly are typically ± 0.3 mm
2) If receptacle is screwed directly into threaded hole, oversize thread by $+0.05$ mm

3) Recommended PCB hole dimensions may be adjusted to application
Part number example : DBPLE 1031 A019-130

fischer
CONNECTORS

www.fischerconnectors.com