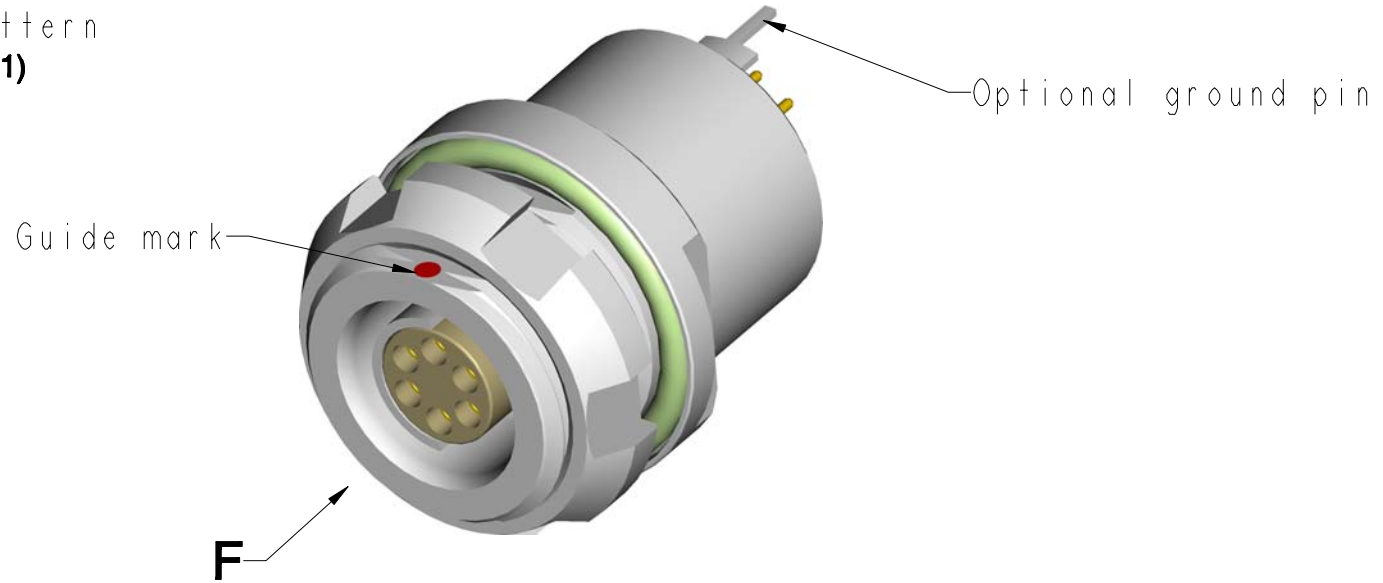


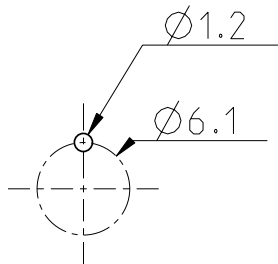
# DBPE/U 102-105 OPTIONAL PIN

Pin layout / PCB hole pattern  
for optional ground pin (1)

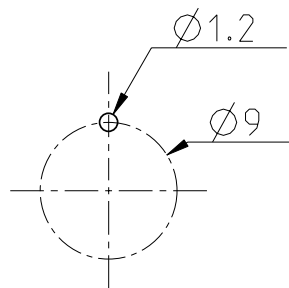


View from F with guide mark on top

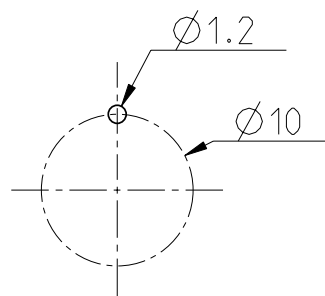
**Series 102**



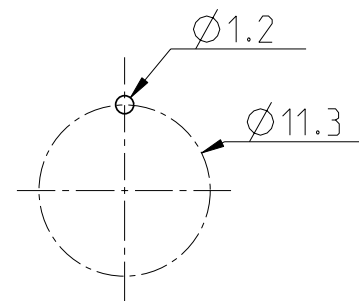
**Series 103**



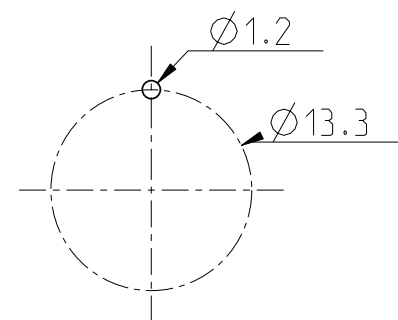
**Series 1031**



**Series 104**



**Series 105**



All dimensions in mm

Rev.

Pages

Notes :

1) Recommended PCB hole dimensions may be adjusted to application

600036

1

1/1

**fischer**  
CONNECTORS

www.fischerconnectors.com

Information provided herein is believed to be accurate at time of publishing. Fischer Connectors reserves the right to make modifications on products for continuous improvement without prior notice.