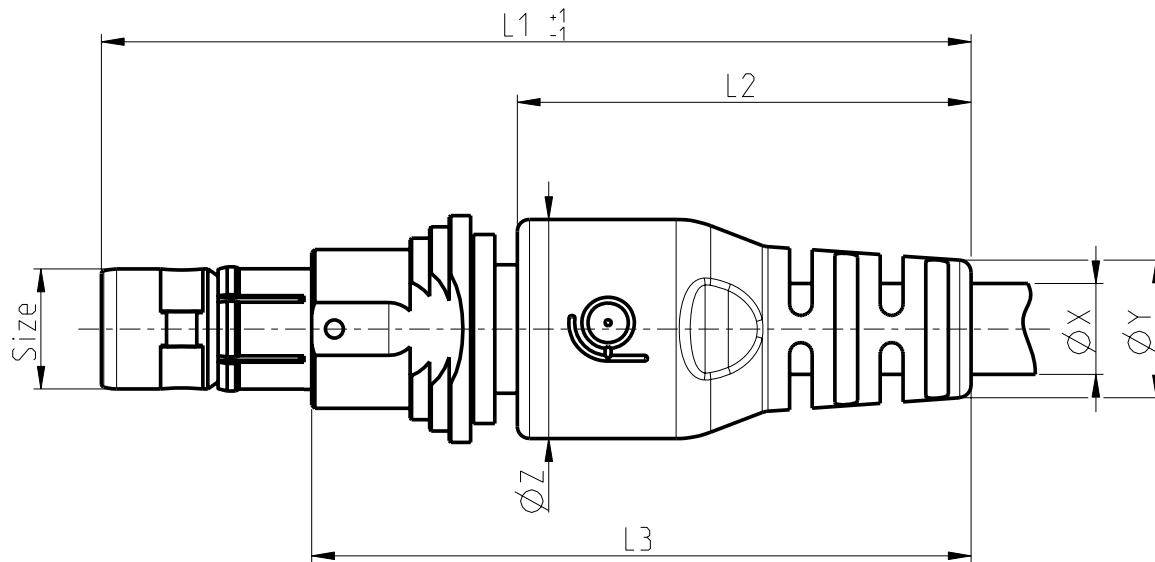


# OVERMOLDING ULTIMATE

## UP01 WITH STRAIGHT OVERMOLDING



SIZE	ØX	ØY	ØZ	L1	L2	L3
07	2.0...3.8	6.5	12.0	48.7	26.5	~39
	>3.8...5.1	7.6				
08	2.0...3.8	8.4	14.5	57.5	30.0	~44
	>3.8...5.9	9.0				
11	2.0...6.0	10.5	18.0	62.8	36.0	~50
	>6.0...10.0	12.0				
13	2.0...9.7	13.5	21.7	77.8	42.0	~61



All dimensions in mm

Rev.

Pages

Notes :

1) General tolerances:  $\pm 0.5\text{mm}$

600545

2

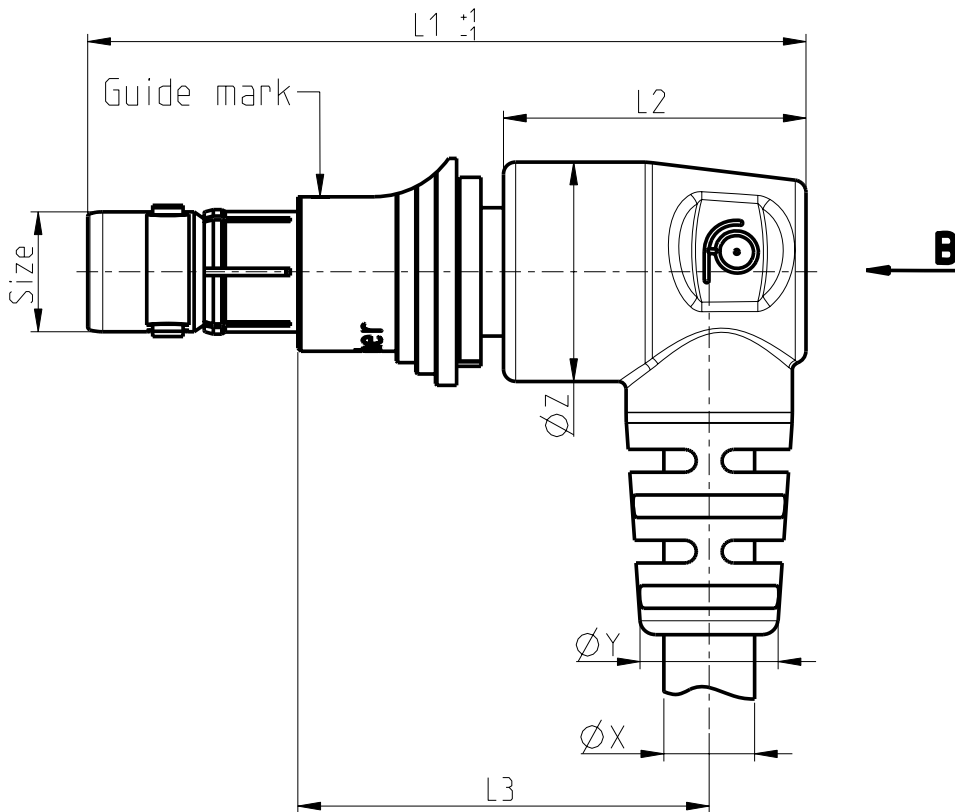
1/3

**fischer**  
CONNECTORS

www.fischerconnectors.com

# OVERMOLDING ULTIMATE

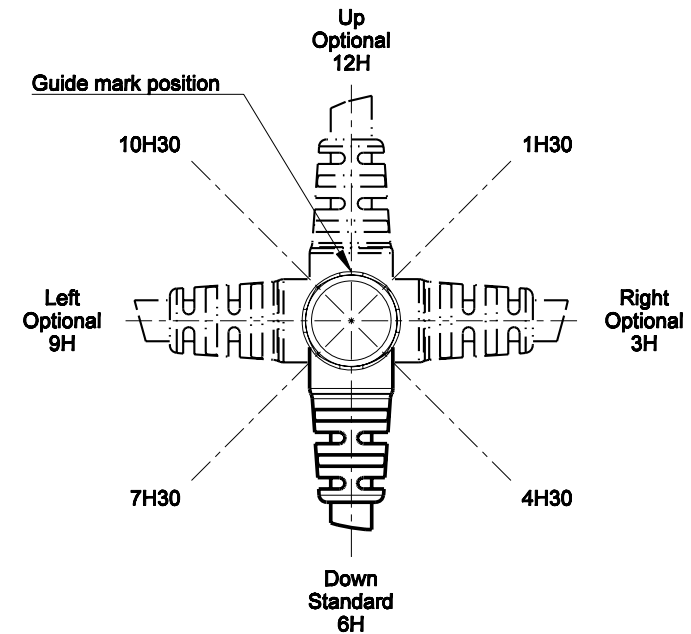
## UP01 WITH RIGHT ANGLE OVERMOLDING



SIZE	ØX	ØY	ØZ	L1	L2	L3	L4	L5
07	2.0...3.8	6.5	12.0	36.2	14.0	~21	20.0	26.0
	>3.8...5.1	7.1						
08	2.0...3.8	8.4	14.5	47.5	20.0	~27	24.0	31.3
	>3.8...5.9	9.0						
11	2.0...6.0	10.5	18.0	51.8	25.0	~31	30.0	39.0
	>6.0...10.0	12.0						
13	2.0...9.7	13.5	21.7	65.8	30.0	~40	30.0	40.9

### Cable Orientation (2)

(View from B)



All dimensions in mm

Rev. Pages

Notes:  
 1) General tolerances:  $\pm 0.5\text{mm}$   
 2) Can be positioned in  $45^\circ$  increments

600545

2

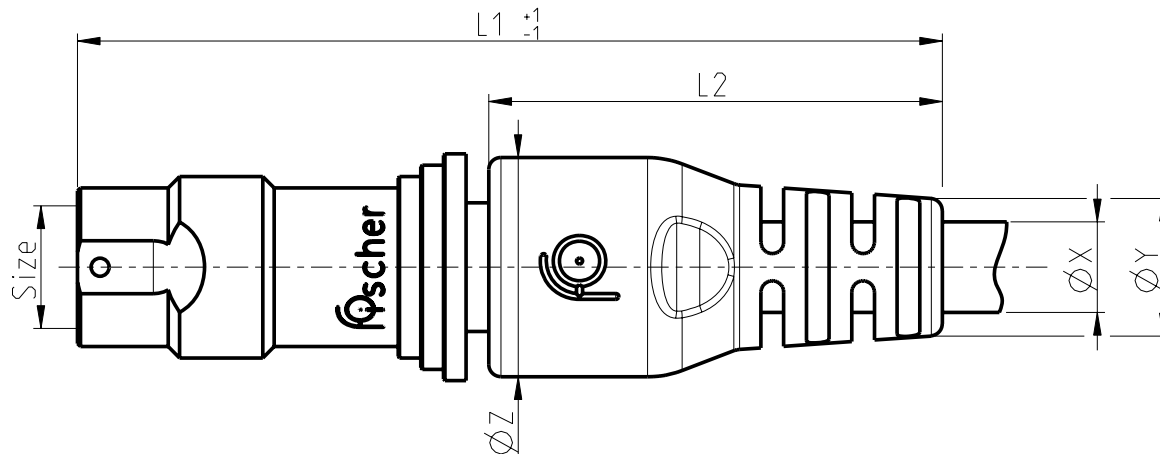
2/3

# OVERMOLDING ULTIMATE

## UR50 WITH STRAIGHT OVERMOLDING



SIZE	$\phi X$	$\phi Y$	$\phi Z$	L1	L2
07	2.0...3.8	6.5	12.0	47.7	26.5
	>3.8...5.1	7.6			
08	2.0...3.8	8.4	14.5	57.2	30.0
	>3.8...5.9	9.0			
11	2.0...6.0	10.5	18.0	62.5	36.0
	>6.0...10.0	12.0			
13	2.0...9.7	9.7	21.7	78.3	42.0



All dimensions in mm

Rev.

Pages

Notes :

1) General tolerances:  $\pm 0.5$ mm

600545

2

3/3

**fischer**  
CONNECTORS

www.fischerconnectors.com