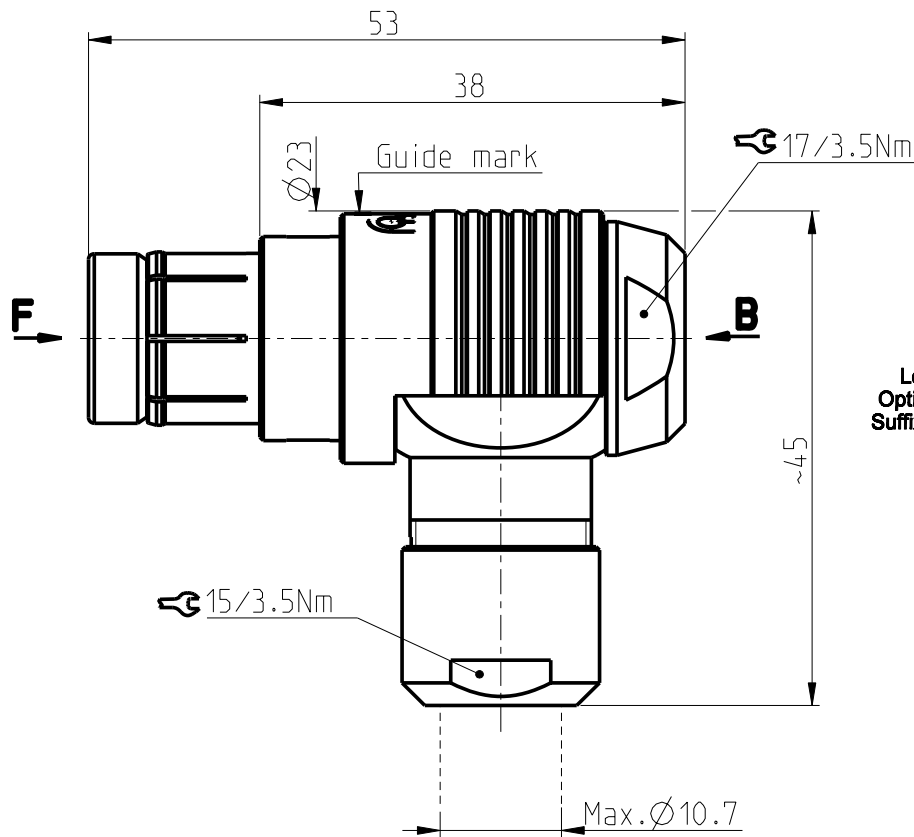


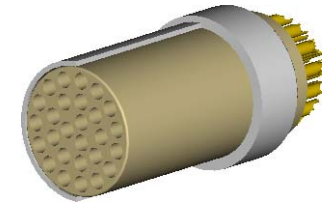
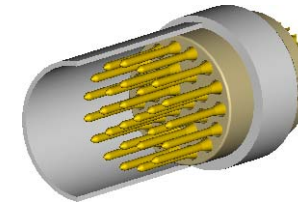
WSO 105 Multipole Plugs

All dimensions see note 1)



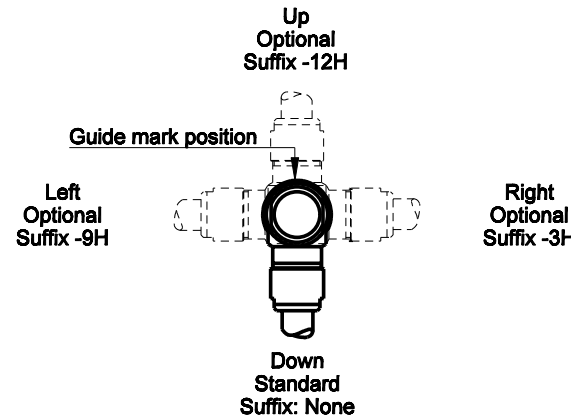
Contact polarity A

Contact polarity Z



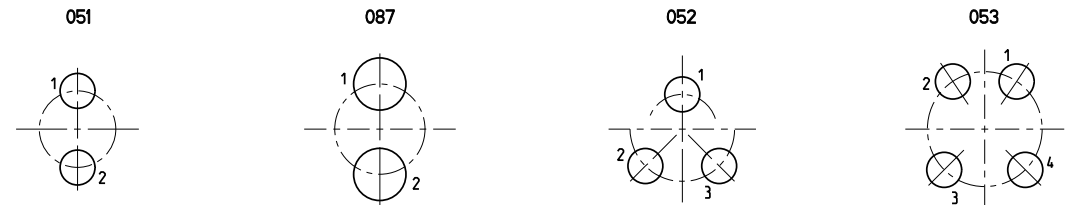
Cable Orientation

(View from B)

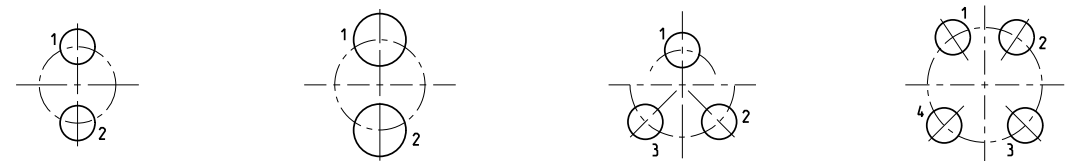


CONTACT CONFIGURATION	Contacts	Solder cup ϕ		Crimp cup ϕ
105 A Z 051	2	2.03		-
105 A Z 087	2	2.93		-
105 A Z 052	3	2.03		-
105 A Z 053	4	2.03		-

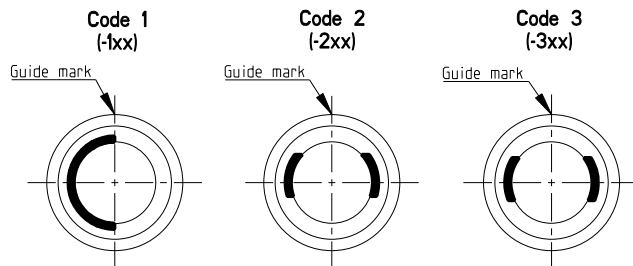
Contact configuration for polarity A (View from B)



Contact configuration for polarity Z (View from B)



Keying codes (View from F)



All dimensions in mm

600503

Rev.

1c

Pages

1/4

Notes:

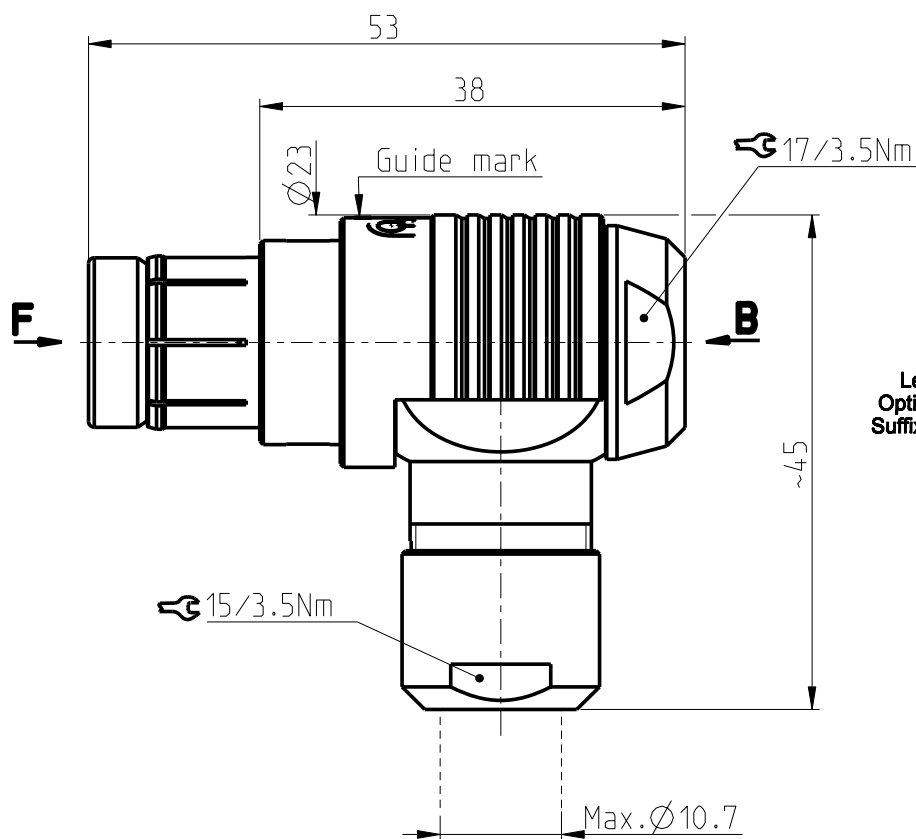
- 1) All tolerances resulting from connector assembly are typically $\pm 0.3\text{mm}$
 - 2) For optimum crimping refer to available crimping manual.
- Part number example : WSO 105 A102-130+

fischer
CONNECTORS

www.fischerconnectors.com

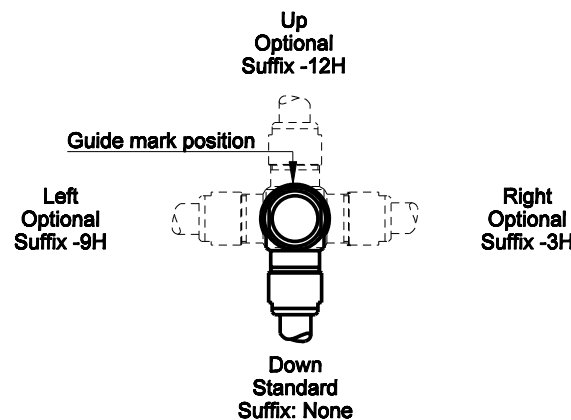
WSO 105 Multipole Plugs

All dimensions see note 1)



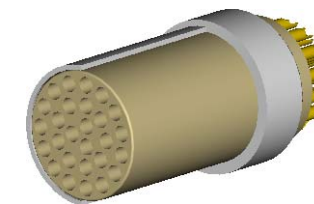
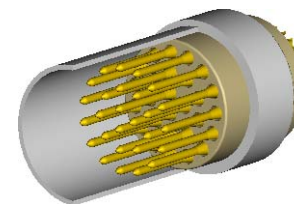
Cable Orientation

(View from B)



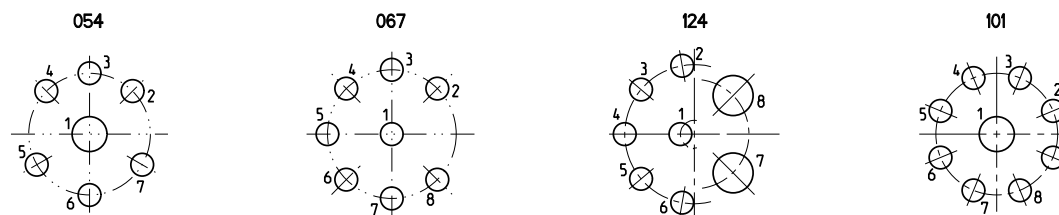
Contact polarity A

Contact polarity Z

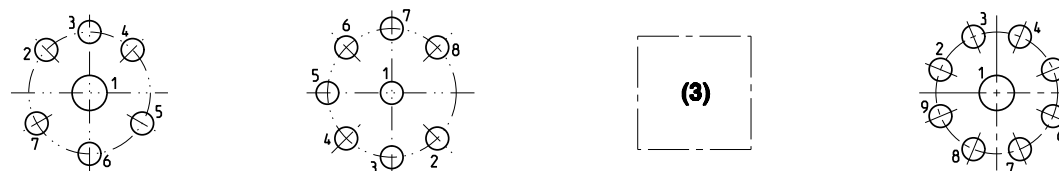


CONTACT CONFIGURATION	Contacts	Solder cup Ø		Crimp cup Ø
105 A Z 054	7	1.18/2.03		-
105 A Z 067	8	1.18		-
105 A Z 124	8	1.18/2.48		-
105 A Z 101	9	1.18/2.03		-

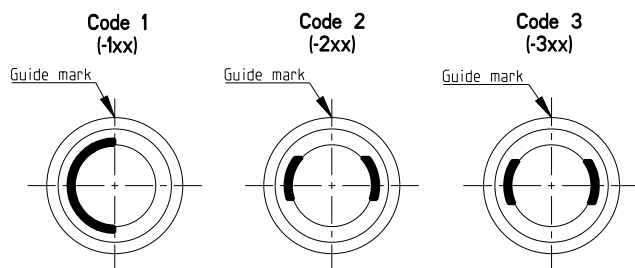
Contact configuration for polarity A (View from B)



Contact configuration for polarity Z (View from B)



Keying codes (View from F)



All dimensions in mm

600503

Rev.

1c

Pages

2/4

Notes :

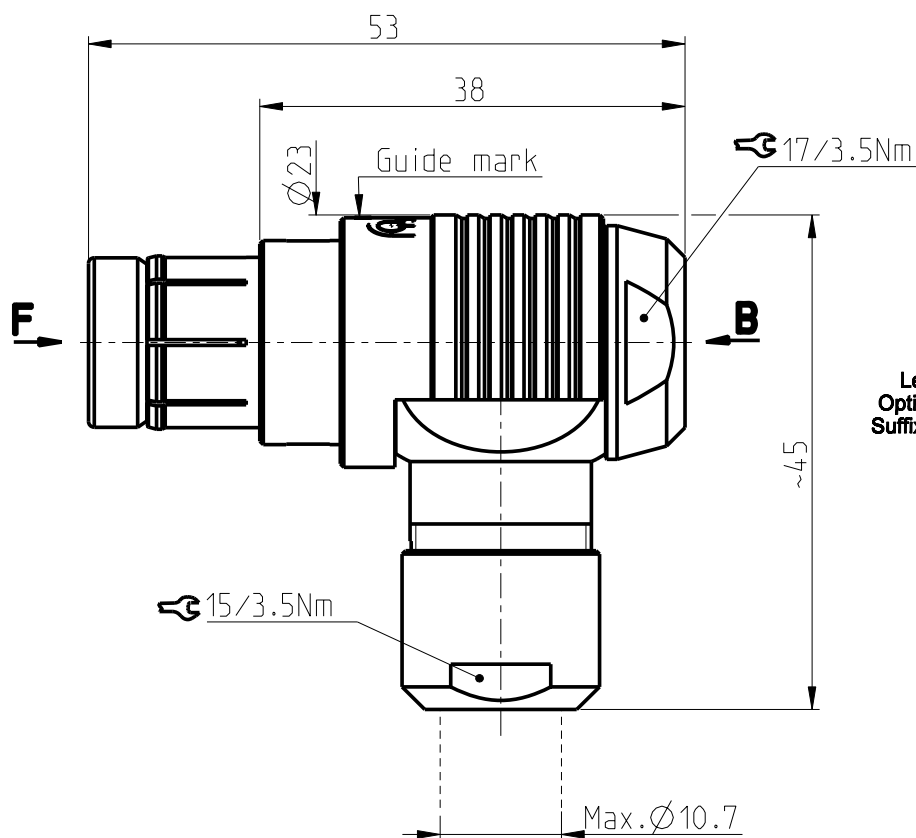
- 1) All tolerances resulting from connector assembly are typically $\pm 0.3\text{mm}$
 - 2) For optimum crimping refer to available crimping manual.
 - 3) Please contact us.
- Part number example : WSO 105 A102-130+

fischer
CONNECTORS

www.fischerconnectors.com

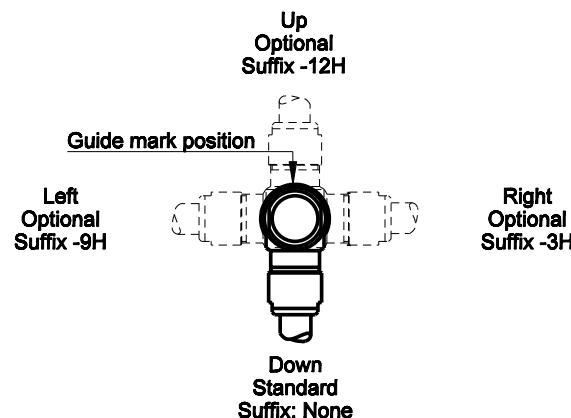
WSO 105 Multipole Plugs

All dimensions see note 1)

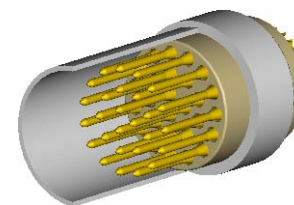


Cable Orientation

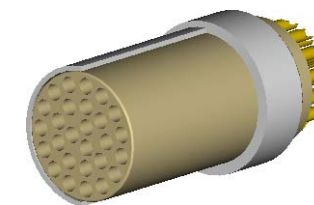
(View from B)



Contact polarity A

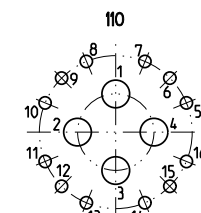
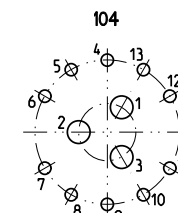
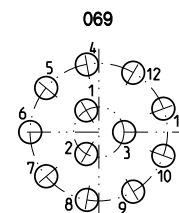
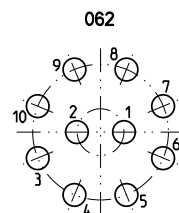


Contact polarity Z

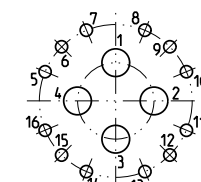
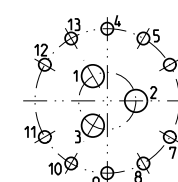
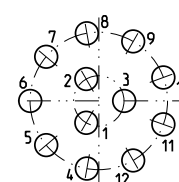
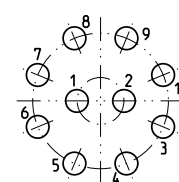


CONTACT CONFIGURATION	Contacts	Solder cup Ø		Crimp cup Ø ⁽²⁾
105 A Z 062	10	1.18		1.18
105 A Z 069	12	1.18		-
105 A Z 104	13	0.79/1.18		-
105 A Z 110	16	0.79/1.86		-

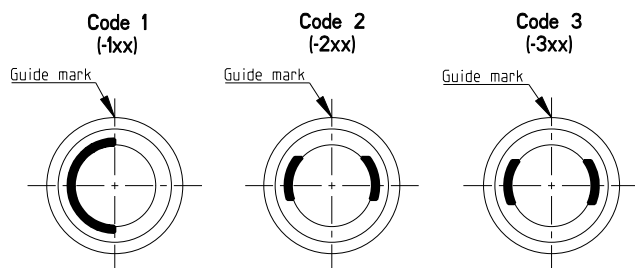
Contact configuration for polarity A (View from B)



Contact configuration for polarity Z (View from B)



Keying codes (View from F)



All dimensions in mm

600503

Rev.

1c

Pages

3/4

Notes:

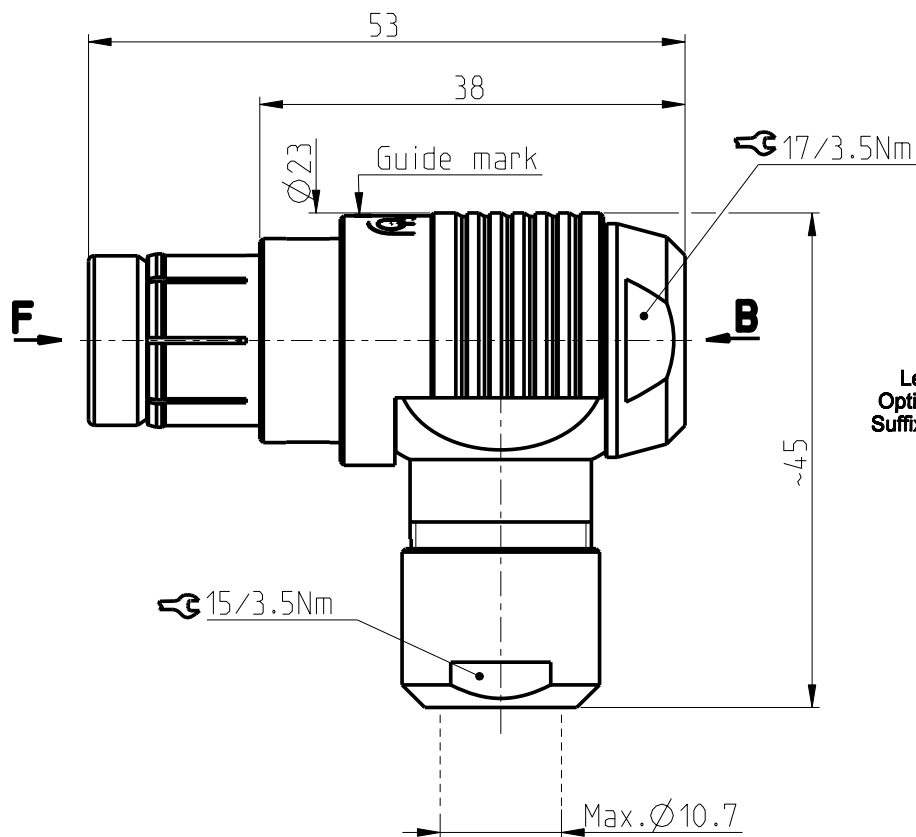
- 1) All tolerances resulting from connector assembly are typically $\pm 0.3\text{mm}$
 - 2) For optimum crimping refer to available crimping manual.
- Part number example : WSO 105 A102-130+

fischer
CONNECTORS

www.fischerconnectors.com

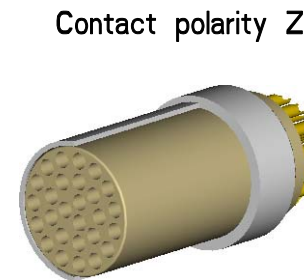
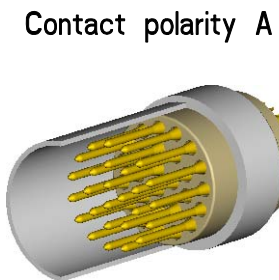
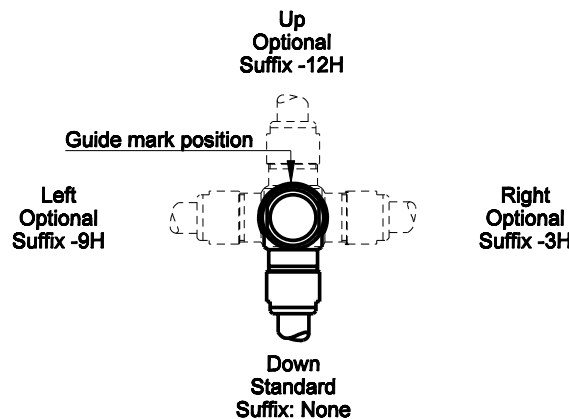
WSO 105 Multipole Plugs

All dimensions see note 1)



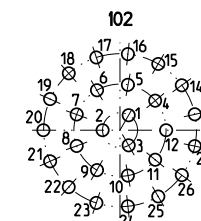
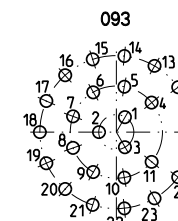
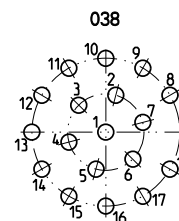
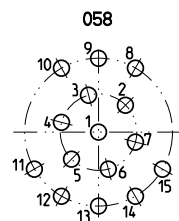
Cable Orientation

(View from B)

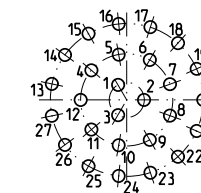
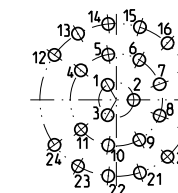
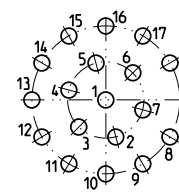
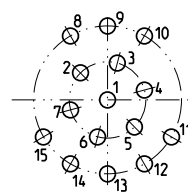


CONTACT CONFIGURATION	Contacts	Solder cup \varnothing	Crimp cup \varnothing ⁽²⁾
105 A Z 058	15	0.79	0.80
105 A Z 038	18	0.79	0.80
105 A Z 093	24	0.79	-
105 A Z 102	27	0.79	0.60

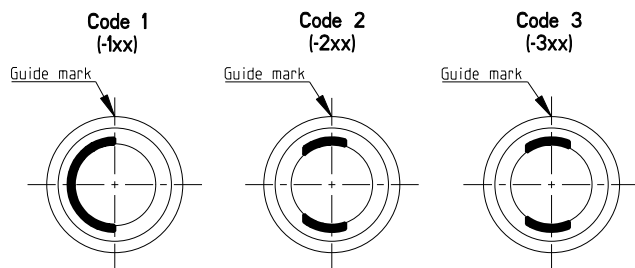
Contact configuration for polarity A (View from B)



Contact configuration for polarity Z (View from B)



Keying codes (View from F)



All dimensions in mm

600503

Rev.

1c

Pages

4/4

Notes :

- 1) All tolerances resulting from connector assembly are typically $\pm 0.3\text{mm}$
 - 2) For optimum crimping refer to available crimping manual.
- Part number example : WSO 105 A102-130+

fischer
CONNECTORS

www.fischerconnectors.com