



FISCHER LP360™

PLUG & USE CONNECTOR

EASY MATING
FULLY CLEANABLE
LOW PROFILE

7 CONTACTS

- No key code, 360° mating freedom
- Blind-mate, non-magnetic ball locking
- Fully cleanable, plug and receptacle
- Easy integration, MOLLE compatible
- IP68 sealed to -20m/24h



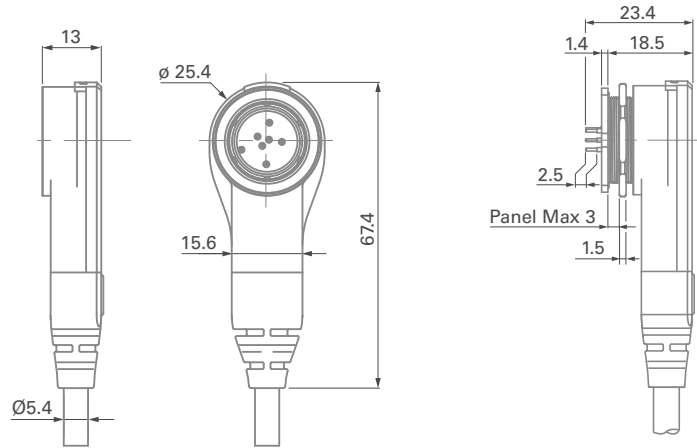
REIMAGINING CONNECTIVITY
TOGETHER

fischer®
CONNECTORS

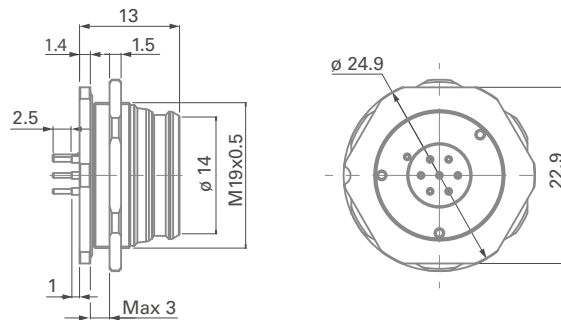
TECHNICAL DIMENSIONS



LP360™ PLUG



LP360™ RECEPTACLE



TECHNICAL DATA

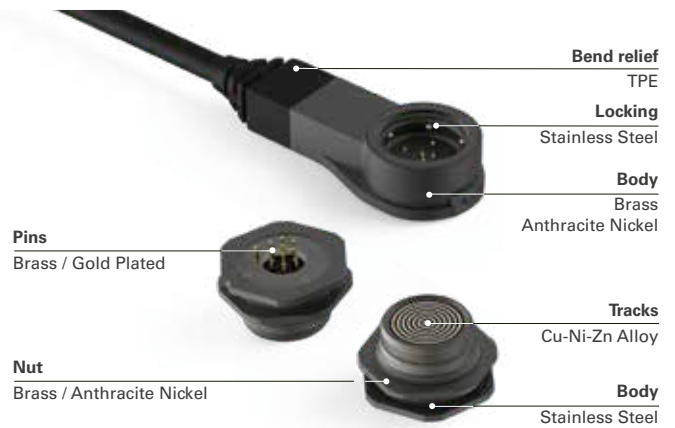
ELECTRICAL DATA

Number of contacts	7
Rated voltage (rms)	≤ 250 V
Typical operating voltage	9-48 V
Max. current rating	3x 5A + 4x 1A
Max. wire size	AWG 24
Data protocols	USB 2.0 and Ethernet

ENVIRONMENTAL DATA

Characteristic	Performance	Standard
Corrosion resistance	1,000h salt mist	MIL-STD-883 Method 1009.8
Sealing	IP67 unmated	MIL-STD-810 Method 512.6
	IP68 mated -20m/24h	
Vibration & shock	9,26 rms	MIL-STD-202 Method 214 Condition I
EMI/EMC	360°	Protection by design

MATERIAL & SURFACE TREATMENT



ACCESSORIES

- Soft caps
- Straight bend relief



For more information visit
fischerconnectors.com/lp360