



FISCHER LP360™

**PLUG & USE** CONNECTOR

## EASY MATING FULLY CLEANABLE LOW PROFILE

- No key code, 360° mating freedom
- Blind-mate, non-magnetic ball locking
- Fully cleanable, plug and receptacle
- Easy integration, garment and device
- IP68 sealed to -20m/24h



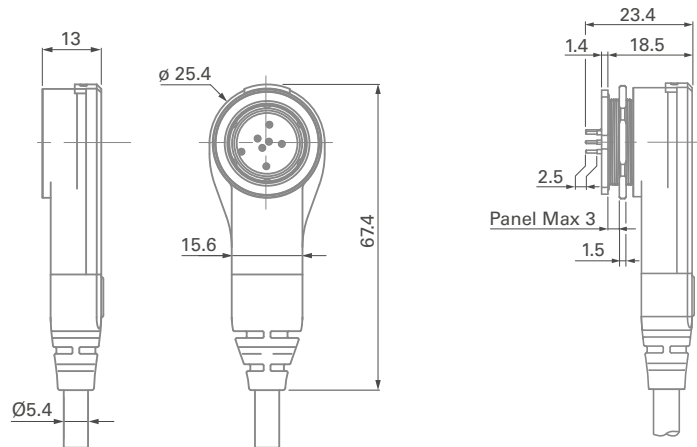
REIMAGINING CONNECTIVITY  
TOGETHER

**fischer**®  
CONNECTORS

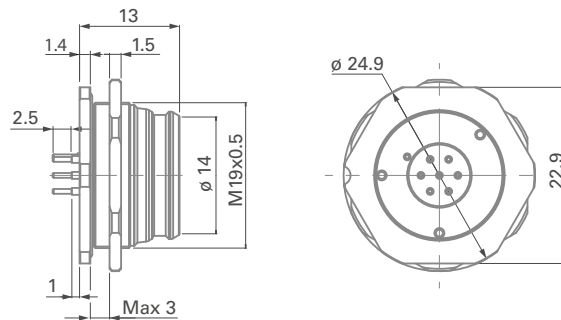
# TECHNICAL DIMENSIONS



## LP360™ PLUG



## LP360™ RECEPTACLE



# TECHNICAL DATA

## ELECTRICAL DATA

Number of contacts	7
Rated voltage (rms)	≤ 250 V
Typical operating voltage	9-48 V
Max. current rating	3x 5A + 4x 1A
Max. wire size	AWG 24
Data protocols	USB 2.0 and Ethernet

## ENVIRONMENTAL DATA

Characteristic	Performance	Standard
Corrosion resistance	1,000h salt mist	MIL-STD-883 Method 1009.8
Sealing	IP67 unmated	MIL-STD-810 Method 512.6
	IP68 mated -20m/24h	
Vibration & shock	9,26 rms	MIL-STD-202 Method 214 Condition I
EMI/EMC	360°	Protection by design

## MATERIAL & SURFACE TREATMENT



## ACCESSORIES

- Soft caps
- Straight bend relief



For more information visit  
[fischerconnectors.com/lp360](http://fischerconnectors.com/lp360)